

# A15Xi Mains Energizer

## USER GUIDE

© 2018 Datamars Limited

All product names and brand names in this document are trademarks or registered trademarks of their respective holders.

No part of this publication may be photocopied, reproduced, stored in a retrieval system, or transmitted in any form or by any means, electronic, mechanical, photocopying, recording or otherwise without the prior written permission of Datamars Limited. Product specifications may change without prior notice.

For more information on other quality Datamars brands and products, visit [www.datamars.com](http://www.datamars.com)

Datamars Limited	Postal address:	<b>DATAMARS</b>
25 Carbine Road	P O Box 51078	
Mt Wellington	Pakuranga	
Auckland 1060	Auckland 2140	
New Zealand	New Zealand	

Datamars Ltd thanks the International Electrotechnical Commission (IEC) for permission to reproduce Information from its International Publication 60335-2-76 ed.2.2 (2013). All such extracts are copyright of IEC, Geneva, Switzerland. All rights reserved. Further information on the IEC is available from [www.iec.ch](http://www.iec.ch). IEC has no responsibility for the placement and context in which the extracts and contents are reproduced by the author, nor is IEC in any way responsible for the other content or accuracy therein.

833877 Issue 1 10/2018

# Safety information

---

*Note:* This product has been designed for use with electric animal fences.

---

## General warnings

***WARNING!***

- This energizer is not intended for use by persons (including children) with reduced physical, sensory or mental capabilities, or lack of experience and knowledge, unless they have been given supervision or instruction concerning use of the energizer by a person responsible for their safety.
- Children should be supervised to ensure that they do not play with the energizer. Cleaning and user maintenance shall not be made by children without supervision.
- Disconnect the energizer before installation or performing any work on the fence.
- Risk of electric shock! This energizer should be opened or repaired only by qualified personnel.

## Warnings specific to this energizer

***WARNING!***

- *Europe* - When the temperature is below 5 °C, the energizer must be located in a shelter and must not be handled.
- The supply cord cannot be replaced. If the cord is damaged the power supply should be scrapped.
- This energizer must be securely mounted using four screws suitable for the mounting surface.

# Key to symbols on the energizer



Read full instructions before use.



This symbol on the product or its packaging indicates that this product must not be disposed of with other waste. Instead, it is your responsibility to dispose of your waste equipment by handing it over to a designated collection point for the recycling of waste electrical and electronic equipment. The separate collection and recycling of your waste equipment at the time of disposal will help conserve natural resources and ensure that it is recycled in a manner that protects human health and the environment. For more information about where you can drop off your waste equipment for recycling, please contact your local city recycling office or the dealer from whom you purchased the product.



The energizer has a double-insulated construction.



Energizers marked with this symbol are time delayed electric fence energizers with a delay time of 20 seconds.



This appliance incorporates an earth connection for functional purposes only.

## Definition of special terms

*Energizer* – An appliance that is intended to periodically deliver voltage impulses to a fence connected to it.

*Fence* – A barrier for animals or for the purpose of security, comprising one or more conductors such as metal wires, rods or rails.

*Electric fence* – A barrier which includes one or more electric conductors, insulated from earth, to which electric pulses are applied by an energizer.

*Fence circuit* – All conductive parts or components within an energizer that are connected or are intended to be connected, galvanically, to the output terminals.

*Earth electrode* – Metal structure that is driven into the ground near an energizer and connected electrically to the fence earth terminal of the energizer, and that is independent of other earthing arrangements.

*Connecting lead* – An electric conductor, used to connect the energizer to the electric fence or the earth electrode.

*Electric animal fence* – An electric fence used to contain animals within or exclude animals from a particular area.

# Requirements for electric animal fences

In accordance with Annex BB Section BB.1 of EN 60335-2-76

Electric animal fences and their ancillary equipment shall be installed, operated and maintained in a manner that minimises danger to persons, animals or their surroundings.

Electric animal fence constructions that are likely to lead to the entanglement of animals or persons shall be avoided.

*Installers/Users should note:*

**WARNING!** Avoid contacting electric fence wires especially with the head, neck or torso. Do not climb over, through or under a multi-wire electric fence. Use a gate or a specially designed crossing point.

An electric animal fence shall not be supplied from two separate energizers or from independent fence circuits of the same energizer.

For any two separate electric animal fences, each supplied from a separate energizer independently timed, the distance between the wires of the two electric animal fences shall be at least 2.5 m (8'). If this gap is to be closed, this shall be effected by means of electrically non-conductive material or an isolated metal barrier.

Barbed wire or razor wire shall not be electrified by an energizer.

A non-electrified fence incorporating barbed wire or razor wire may be used to support one or more off-set electrified wires of an electric animal fence. The supporting devices for the electrified wires shall be constructed so as to ensure that these wires are positioned at a minimum distance of 150 mm (6") from the vertical plane of the non-electrified wires. The barbed wire and razor wire shall be earthed at regular intervals.

Follow our recommendations regarding earthing.

A distance of at least 10 m (33') shall be maintained between the energizer earth electrode and any other earthing system connected parts such as the power supply system protective earth or the telecommunication system earth.

Connecting leads that are run inside buildings shall be effectively insulated from the earthed structural parts of the building. This may be achieved by using insulated high voltage cable.

Connecting leads that are run underground shall be run in conduit of insulating material or else insulated high voltage cable shall be used. Care must be taken to avoid damage to the connecting leads due to the effects of animal hooves or vehicle wheels sinking into the ground.

Connecting leads shall not be installed in the same conduit as the mains supply wiring, communication cables or data cables.

Connecting leads and electric animal fence wires shall not cross above overhead power or communication lines.

Crossings with overhead power lines shall be avoided wherever possible. If such a crossing cannot be avoided it shall be made underneath the power line and as nearly as possible at right angles to it.

If connecting leads and electric animal fence wires are installed near an overhead power line, the clearances shall not be less than those shown in the table below.

*Minimum clearances from power lines for electric animal fences*

<b>Power line voltage</b>	<b>Clearance</b>
≤1000 V	3 m (10')
>1000 V to ≤33,000 V	4 m (13')
>33,000 V	8 m (27')

If connecting leads and electric animal fence wires are installed near an overhead power line, their height above the ground shall not exceed 3 m (10'). This height applies to either side of the orthogonal projection of the outermost conductors of the power line on the ground surface, for a distance of:

2 m (6'6") for power lines operating at a nominal voltage not exceeding 1000 V.

15 m (50') for power lines operating at a nominal voltage exceeding 1000 V.

Electric animal fences intended for deterring birds, household pet containment or training animals such as cows need only be supplied from low output energizers to obtain satisfactory and safe performance.

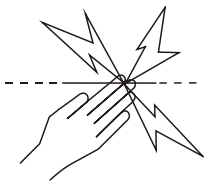
In electric animal fences intended for deterring birds from roosting on buildings, no electric fence wire shall be connected to the energizer earth electrode. A warning sign shall be fitted to every point where persons may gain ready access to the conductors.

Where an electric animal fence crosses a public pathway, a non-electrified gate shall be incorporated in the electric animal fence at that point or a crossing by means of stiles shall be provided. At any such crossing, the adjacent electrified wires shall carry warning signs.

Any part of an electric animal fence that is installed along a public road or pathway shall be identified at frequent intervals by warning signs securely fastened to the fence posts or firmly clamped to the fence wires.

The size of the warning sign shall be at least 100x200 mm (4x8").

The background colour of both sides of the warning sign shall be yellow. The inscription on the sign shall be black and shall be either:






or the substance of "CAUTION: Electric fence".

The inscription shall be indelible, inscribed on both sides of the warning sign and have a height of at least 25 mm (1").

Ensure that all mains-operated, ancillary equipment connected to the electric animal fence circuit provides a degree of isolation between the fence circuit and the supply mains equivalent to that provided by the energizer.

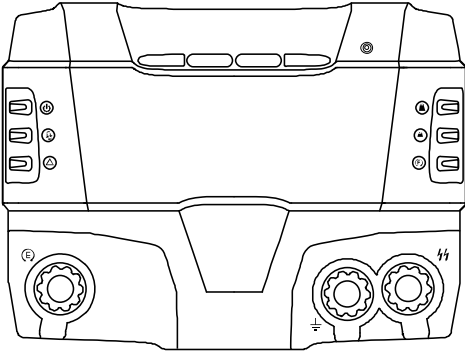
Protection from the weather shall be provided for the ancillary equipment unless this equipment is certified by the manufacturer as being suitable for use outdoors, and is of a type with a minimum degree of protection IPX4.

# Question & Answer Index

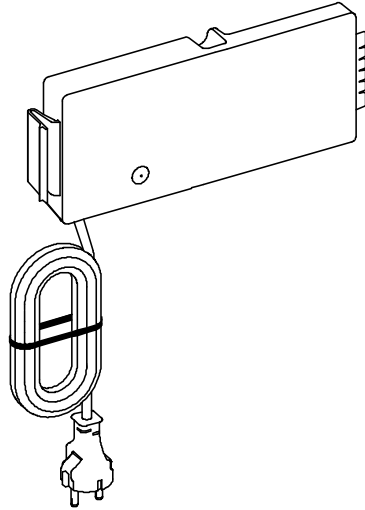
How do I connect the energizer to the fence?	Page 12
Where can I find information about building an electric fence?	Page 14
What is the mag key for?	Page 16
How can I tell what the output voltage of the energizer is?	Page 17
An alarm is sounding on the energizer - what should I do?	Page 18
A fence indicator  or  is on - what should I do?	Page 19
How do I set up the earth monitoring feature?	Page 20
How do I set up my remote control for use with the energizer?	Page 21
Something is wrong with the fence, the energizer or the remote control	Page 22
The fault indicator  is on – what should I do?	Page 24

# 1 Unpack the box

Check that you have all of these items. If anything is missing, contact your supplier.



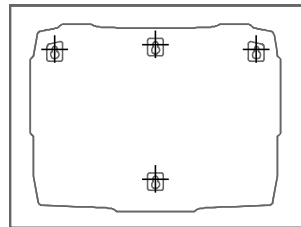
Energizer



Mains power supply



Mag key

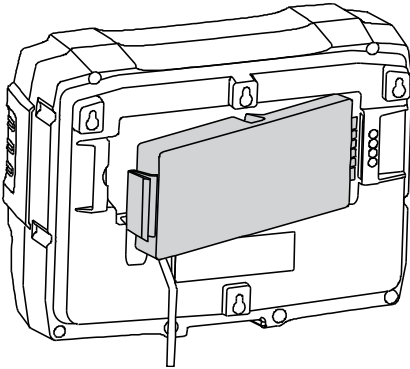


Mounting template

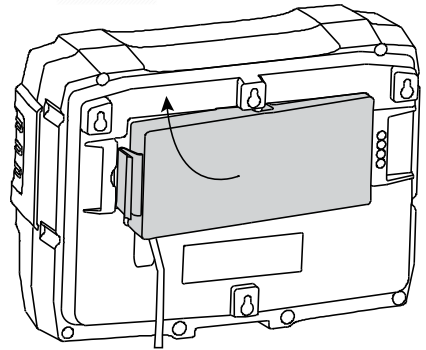
## 2 Check that the power supply is attached

*CAUTION!* The power supply must be securely attached to the energizer **before** you switch on the mains power.

1.



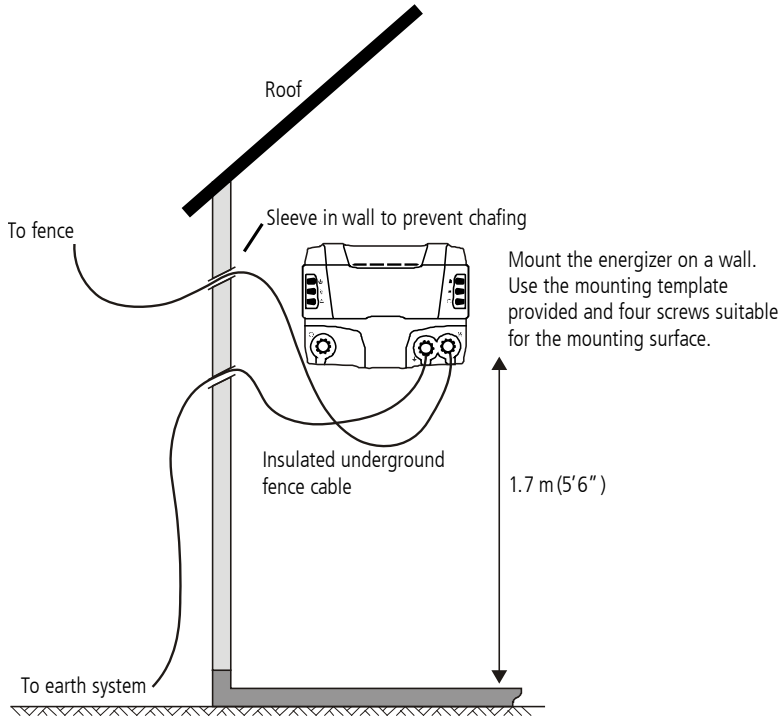
2.  Click!



*WARNING!* Use only the power supply included with this energizer or a genuine replacement part.

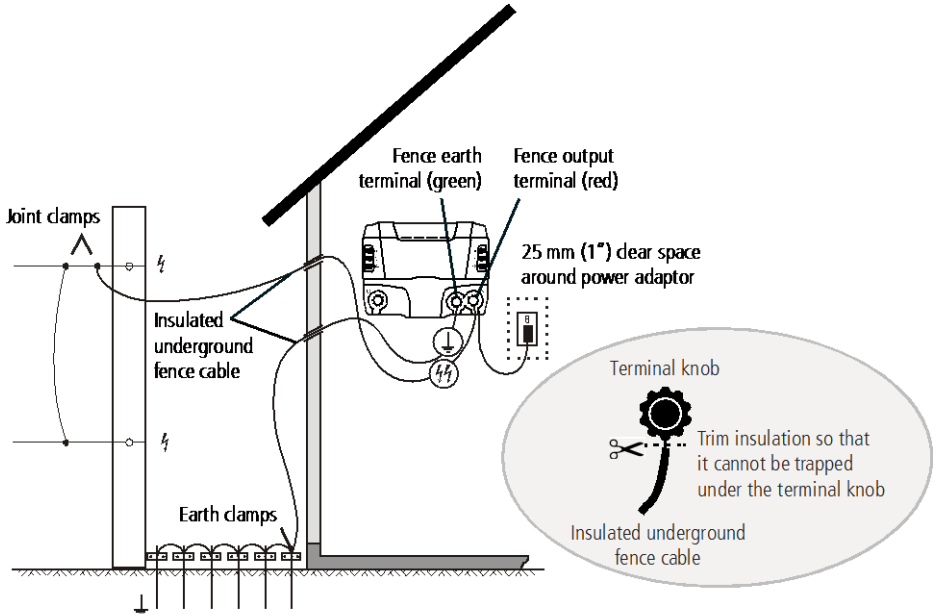
### 3 Choose a good site for installation and mount the energizer

For information on choosing a suitable installation site, see page 14.



## 4 Connect the energizer to the fence, the earth system and the mains power supply

For detailed information on building an electric fence and an earth system, visit the website (see energizer packaging for details).



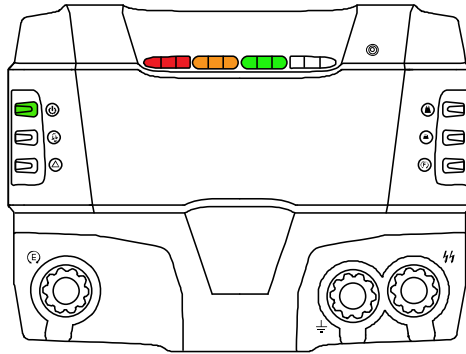
Earth system consisting of at least six 2 m (6'6") earth rods

**Note:** The energizer earth system must be 10 m (33') from other earth systems.

**WARNING!** Do not use a mains power extension lead.

## 5 Turn on the mains power supply and view the output voltage on the output voltage lights

For detailed information, see page 17.



# More information on installation

## Selecting a site for the installation

Read all of the safety instructions in this manual and any relevant government, regional and local safety standards before installing the energizer.

Check that the site for the installation is where:

- a good earth can be obtained. For tips on constructing a good earth system, see the website (see energizer packaging for details).
- the earth system will be at least 10 m (33') from other earth systems (e.g. telephone, mains power or the earth system of another energizer).
- children and animals cannot interfere with the installation.

The energizer should be installed:

- inside or under cover.
- adjacent to the electric fence.
- preferably in the middle of the electric fence system.
- close to a mains power outlet.

### *WARNING!*

- Check your installation to ensure that it complies with all local safety regulations.
- *Europe* - When the temperature is below 5 °C, the energizer must be located in a shelter and must not be handled.

## Building an electric fence and an earth system

For a complete guide to building an electric fence and an earth system, visit the website (see energizer packaging for details).

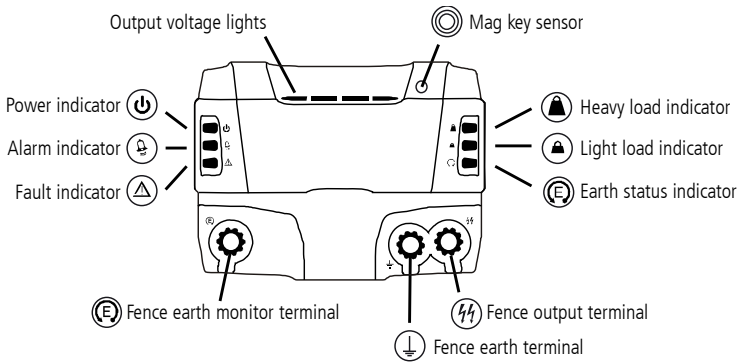
---

*Note:* For this energizer, we recommend using at least **six** 2 m (6'6") earth rods in the earth system.

---

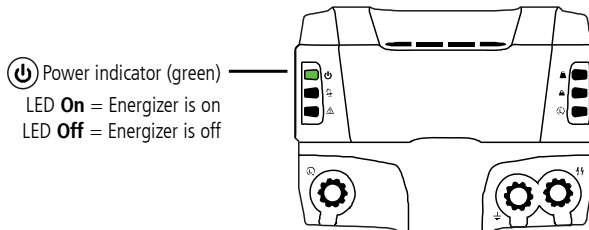
# Using the energizer

## Parts of the energizer



## Turning the energizer on

The energizer will be on as soon as it is plugged in to the mains power supply and switched on at the wall.



## Turning the energizer off

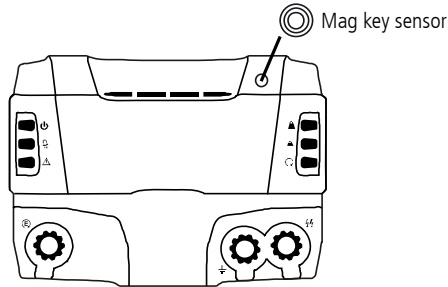
**WARNING!** The energizer will reactivate following a power failure, even if it was in standby mode before the power failure. The fence should be regarded as live at all times, regardless of whether the energizer is in standby mode or not. If you are working on a section of fence, isolate the section with a cut-out switch, or disconnect the energizer from the mains power supply.

To turn off the energizer completely, while working on a section of fence:

Switch the energizer off at the wall and disconnect it from the mains power supply.

## Using the mag key

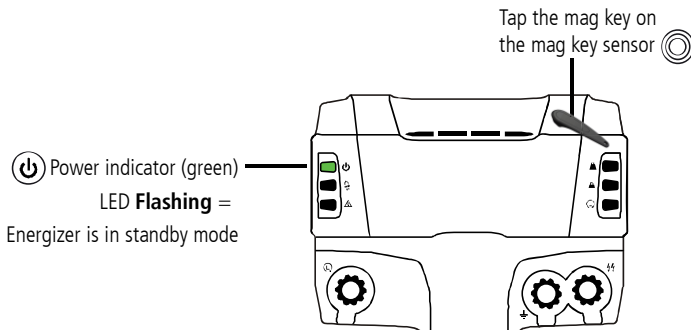
You can use the mag key to put the energizer into standby mode and to turn it on from standby. To use the mag key, hold the mag key against the mag key sensor which is marked on the energizer case (⊙). The mag key sensor is located here:



## Putting the energizer into standby mode

Instead of turning the energizer off at the wall, we recommend using the mag key to put the energizer into standby mode. In standby mode, the energizer is on, but there will be no output voltage at the fence output terminal.

To put the energizer into standby mode using the mag key:



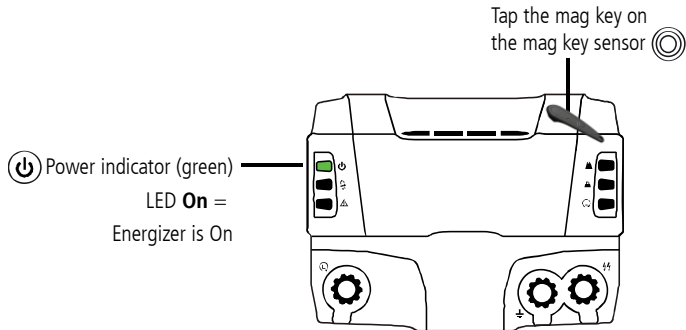
---

*Note:* Alternatively, the remote control can be used to put the energizer into standby mode. See the remote control's user manual. All user manuals are available on the website (see energizer packaging for details).

---

## Turning on the energizer from standby mode

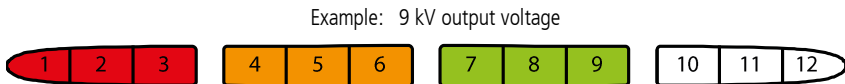
To turn on the energizer from standby mode using the mag key:



*Note:* Alternatively, the remote control can be used to turn the energizer on from standby mode. See the remote control's user manual. All user manuals are available on the website (see energizer packaging for details).

## Viewing the output voltage


The output voltage lights show the output voltage of the energizer. Each light segment represents 1 kV.



# Monitoring the performance of the electric fence

The following features allow you to monitor the performance of the electric fence.

## Responding to an alarm

If the energizer detects a sudden increase in the load on the fence, the alarm indicator  will flash, the pulse rate will reduce to three seconds and the alarm buzzer may sound for up to 10 minutes.

This may occur:

- if a cutout switch is closed, connecting a heavily loaded section of the fence to the energizer.
- if a branch falls on the fence.
- if the fence or the lead out cable connecting the energizer to it experiences a sudden short to the ground.
- if an animal or person becomes entangled in the fence.

20 seconds after the fence becomes heavily loaded, the energizer will increase its output power to more effectively energise the fence.

When an alarm is issued, disconnect the energizer from the mains power supply, locate and remedy the fault, then turn on the energizer again.

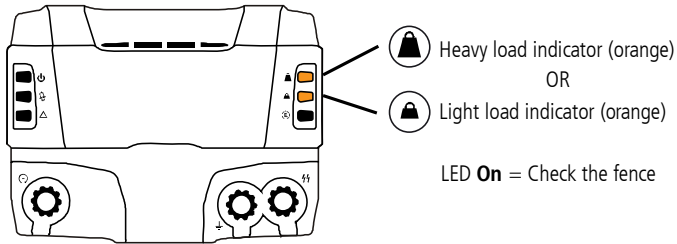
---

*Note:* If a person touches the electric fence, there will be a 20 second time delay before the full energy of the energizer is delivered. This allows time for the person to move away from the fence.

---

# Interpreting the fence indicator lights

The fence indicator lights tell you when there is something wrong with your fence.



If the Heavy load indicator is on, disconnect the energizer from the mains power supply, then check the fence to see if a branch has fallen on it or something has become entangled in the fence. Check for shorting on the fence and on the lead out wire connecting the energizer to the fence. Use a Fault Finder or a Fence Remote with Fault Finder to assist you.

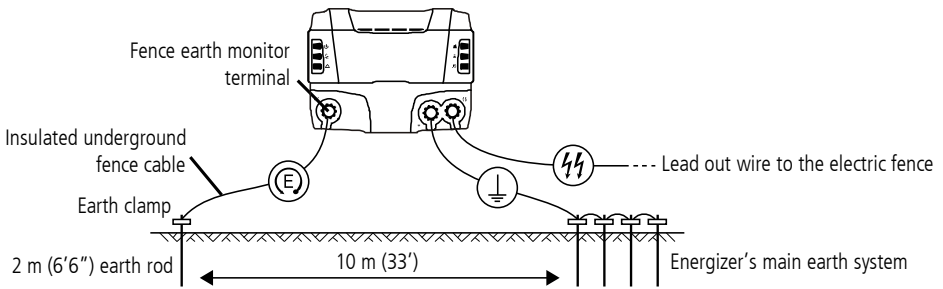
If the Light load indicator is on, check the fence to make sure that no grass or undergrowth is touching the fence.

# Monitoring the earth (optional)

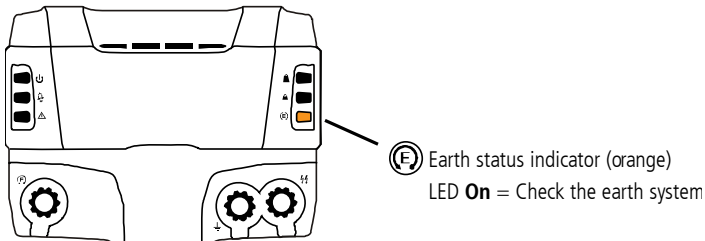
The quality of the earth affects the fence voltage. The earth monitoring feature allows you to constantly see how the earth system is performing, in order to get the best results from your electric fence.

The earth monitoring feature works by comparing the voltage of the energizer's main earth system with the voltage of a separate earth rod. Ensure that the separate earth rod is at least 10 m (33') away from any other earth system including the energizer's main earth system.

Locate the earth rod in the opposite direction to the lead out wire. Drive one 2 m (6'6") earth rod into the ground. Use high-voltage, insulated underground fence cable and an earth clamp to connect the earth rod and the energizer's Fence earth monitor terminal.

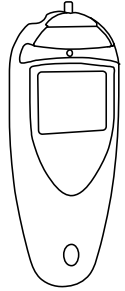


## Interpreting the earth status indicator



If the Earth status indicator is on, follow the advice on installing and maintaining an effective earth system, available on the website (see energizer packaging for details).

# Using the Fence Remote with Fault Finder (the remote control)



A Fence Remote with Fault Finder (remote control) can be purchased as an optional accessory. This will allow you to control the energizer remotely. The energizer and remote control must be programmed before they will work together.

## Programming the energizer and remote control

You need to set the energizer and remote control with the same 'address setting' in order for them to be able to communicate. The steps required are:

- 1 Disconnect the energizer from the mains power source and wait for 5 minutes before reconnecting it OR **hold** the mag key on the mag sensor for 1 second.
- 2 Go into the remote control's setup menu and select an address setting.
- 3 Transmit the address to the energizer.
- 4 Test to make sure that the energizer is obeying commands from the remote control.

Full instructions are provided in the user manual which came with your remote control.

---

*Note:* All user manuals are available on the website (see energizer packaging for details).

---

## Identifying the energizer's address setting

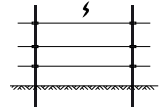
You may need to identify the energizer's address setting during troubleshooting. To view the energizer's address settings, disconnect the energizer from the mains power source and wait for 5 minutes before reconnecting it OR **hold** the mag key on the mag sensor for 1 second. The address will be displayed for 5 seconds. Make a note of the LEDs which are illuminated.

If all LEDs are illuminating in sequence back and forth, this means that the energizer is set to address zero (0) and has not been configured for use with the remote control.

For a complete list of available address settings, see the remote control's user manual.

# Troubleshooting

## Problems with the fence



*The fence voltage is below 4 kV (the voltage required to control animals).*

### Fence faulty?

- 1 Check the fence using a Fault Finder or a Fence Remote with Fault Finder. These have a combined voltage and current meter which allow you to rapidly locate sources of current leakage. Alternatively, use a Digital Voltmeter.
- 2 Use cut-out switches to turn off the power to different sections of the fence. If the voltage on the fence increases when a section is turned off, investigate that section for possible faults.
- 3 Fix fault(s), as required.

### Earth system faulty?

- 1 Set up the earth monitoring feature and test the earth system (see page 20).
- 2 If the earth system is faulty, visit the website (see energizer packaging for details) for advice on installing and maintaining an effective earth system.

### Energizer faulty?

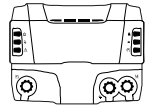
- 1 Check that the energizer is on.
- 2 Disconnect the fence wire from the energizer's fence output terminal.
- 3 Measure the voltage across the energizer terminals using a Fault Finder, Digital Voltmeter or a remote control handset.

If the energizer voltage is less than 6 kV, it may require servicing.

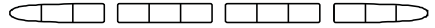
### Fence design (recent extensions to fence, poor fence layout, soil conditions)?

If the fence, earth system and energizer are all OK, ask your reseller for advice.

# Problems with the energizer



*There are no lights on the energizer.*



## Power supply or energizer faulty?

- 1 Check the power supply LED. If it is green, check that the power supply is firmly attached to the energizer and that the mains power supply is on. If it is red, the power supply is faulty and needs to be returned.
- 2 If the energizer is still not operating, it may require servicing.

*The Heavy load indicator is on.*



**A branch may have fallen on the fence or something else may be entangled in it?**

Disconnect the energizer from the mains power supply, then check the fence.

**There may be a short on the fence or on the lead out cable connecting the energizer to the fence?**

Check for shorting using a Fault Finder or a Fence Remote with Fault Finder to assist you. Fix fault(s) as required.

*The Light load indicator is on.*



**Grass or undergrowth may be touching the fence?**

Check the fence and remove any material touching the fence.

*The Earth status indicator is on.*

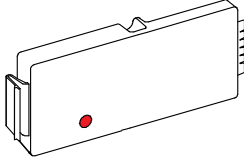




**Earth system may be faulty?**

Visit the website (see energizer packaging for details) for advice on installing and maintaining an effective earth system.

The fault indicator is on. What do the fault codes mean?



Fault code	Possible cause	Possible solution
Fault indicator is on and a red LED is illuminated on the power supply. 	Faulty power supply.	A replacement power supply is required. Return the power supply to your distributor.
Fault indicator is on and the red LEDs are illuminated. Other LEDs will also be illuminated (representing a fault code). 	Energizer malfunction. The energizer has a fault which may be affecting its performance.	Take a photo of the fault code being displayed and contact your distributor.
Fault indicator is on and the orange LEDs are illuminated. 	The energizer is overheating.	Check that the energizer has been mounted in a cool, well ventilated area. If this fault code persists, contact your distributor.

*The alarm indicator is flashing and the alarm buzzer is sounding.*



The energizer has detected a sudden increase in the load on the fence.

This may occur:

- if a cutout switch is closed, connecting a heavily loaded section of the fence to the energizer.
- if a branch falls on the fence.
- if the fence or lead out cable connecting the energizer to it experiences a sudden short to the ground.
- if an animal or person becomes entangled in the fence.

Switch the energizer off, locate and remedy the fault then turn the energizer on again.

*The energizer is switching to standby mode unexpectedly.*

**A neighbour's remote control may be affecting your energizer?**

Change your energizer's address setting using the remote control (see the remote control user's manual).

# Servicing

This energizer contains no user serviceable parts. It must be returned to a service agent appointed by Datamars Limited for repair. The mains power supply cord cannot be replaced. If the supply cord is damaged, the mains power supply should be scrapped.

# Warranty

This product is warranted against faulty material and workmanship for a period from the date of purchase. If a warranted defect occurs, return this product with proof of purchase to the place of purchase. Details of warranty periods and other terms applying are available at the place of purchase or at [www.datamars.com](http://www.datamars.com)

---

*Note:*

- No responsibility is accepted for any accident or damage caused subsequent to any tampering with or modification to or misuse of this product, including (but not limited to) alterations made by anyone other than Datamars or its agents.
  - To the maximum extent permitted by law, this warranty is exclusive, personal to you and in lieu of all other warranties, representations or conditions relating to this product (whether express or implied and whenever arising) whether originating by statute, law, trade, custom or otherwise.
  - The product warranty is only valid in the original country of purchase. Any claims made in another country may incur full repair costs at the owner's expense.
-

# Product specifications

Power supply	Use the 220-240 V mains power supply only
Power consumption	25 W
Maximum output voltage	10.3 kV @ 450 $\Omega$
Maximum output energy	14.2 J at 50 $\Omega$
Maximum stored energy	21 J

Values are typical and normal production tolerances of  $\pm 5\%$  should be allowed for.

[this page is intentionally blank]

# Información de seguridad

---

*Nota:* Este producto ha sido diseñado para el uso con cercas eléctricas para animales.

---

## Advertencias generales

### *¡ADVERTENCIA!*

- Este energizador no está destinado a ser usado por personas (inclusive niños) con capacidad reducida, tanto física como psíquica y sensorial o con falta de experiencia y conocimientos a no ser que hayan sido supervisadas o instruidas en cuanto al uso del energizador por una persona responsable de la seguridad de ellas.
- Se debería vigilar a los niños pequeños para asegurar que no jueguen con el energizador. La limpieza y el mantenimiento no debe ser realizado por niños in supervisión adulta.
- Apague el energizador antes de instalar o llevar a cabo cualquier trabajo en la cerca.
- Riesgo de choques eléctricos. Este energizador debería ser abierto y/o reparado sólo por personal cualificado.

## Advertencias específicas sobre este energizador

### *¡ADVERTENCIA!*

- *Europa* - Cuando la temperatura es menor a 5 °C, el energizador debe ubicarse en un sitio cerrado y no debe tocarse.
- El cable de suministro de corriente no puede ser reemplazado. Si dicho conductor está dañado, se debe reemplazar la fuente de alimentación.
- El energizador debe instalarse de manera segura usando cuatro tornillos que sean adecuados para la superficie de montaje.

## Explicación de los símbolos en el energizador



Lea todas las instrucciones antes del uso.



Este símbolo en el producto o en el embalaje indica que no se puede desechar el producto junto con los residuos domésticos. Es responsabilidad del usuario desechar el residuo del aparato entregándolo en un punto de recogida destinado al reciclaje de residuos de aparatos eléctricos y electrónicos. La recogida y el reciclaje por separado de sus residuos en el momento en el que Ud. se deshace de los mismos ayudarán a preservar los recursos naturales y garantizarán que el reciclaje se realice de modo inocuo para la salud de las personas y el medio ambiente. Si desea obtener mayor información sobre los puntos de recogida para el reciclaje de residuos de aparatos, póngase en contacto con las autoridades locales de su ciudad, el servicio de eliminación de residuos domésticos o la tienda donde adquirió el producto.



El energizador dispone de un aislamiento doble (aislamiento de protección).



Los energizadores marcados con este símbolo son unidades de cercas eléctricas con temporizadores ajustados a 20 segundos de retardo.



Esta unidad incorpora una conexión a tierra con fines funcionales solamente.

## Definiciones de términos especiales

*Energizador:* Un aparato que está diseñado para enviar periódicamente impulsos de voltaje a una cerca que está conectada al mismo.

*Cerca:* Una barrera para animales o para fines de seguridad que consta de uno o más conductores tales como alambres de metal, varillas o barandillas.

*Cerca eléctrica:* Una cerca con uno o más conductores eléctricos, aislada de la tierra y a la cual se aplican impulsos eléctricos desde un energizador.

*Circuito de cerca:* Todos los componentes conductivos de un energizador que están conectados o pueden ser conectados galvánicamente a los terminales de salida.

*Varilla (o electrodo) de toma a tierra:* Una estructura de metal enterrada en el suelo cerca del energizador que está conectada eléctricamente al terminal de toma a tierra del energizador y que es independiente de otros sistemas de toma a tierra.

*Cable de conexión:* un conductor eléctrico que se utiliza para conectar el energizador a una cerca eléctrica o al electrodo (a la varilla) de toma a tierra.

*Cerca eléctrica para animales:* Una cerca eléctrica utilizada para mantener los animales dentro de una determinada área o excluirlos de la misma.

## Requisitos para cercas eléctricas para animales

En cumplimiento del Anexo BB Sección BB.1 de EN 60335-2-76

Las cercas eléctricas para animales y el equipo auxiliar han de ser instalados, manipulados y mantenidos de tal manera que no representen ningún peligro/representen un peligro mínimo para personas, animales o su entorno.

Se deberán evitar construcciones de cercas eléctricas para animales donde podrían enredarse o quedar enganchados personas o animales.

*Nota para los instaladores/usuarios:*

*¡ADVERTENCIA!* Evite el contacto con los alambres de la cerca especialmente con la cabeza, el cuello o el torso. No suba, traspase ni pase por debajo de una cerca de alambres múltiples. Utilice una puerta o un punto de cruce diseñado a tal fin.

Una cerca eléctrica para animales no deberá ser conectada a dos energizadores diferentes o a circuitos de cercas independientes del mismo energizador.

La distancia entre los alambres de dos cercas eléctricas y que están las dos alimentadas por energizadores separados e independientemente sincronizados tiene que ser de 2,5 m como mínimo. Si este espacio ha de ser cerrado se han de utilizar a este propósito materiales no conductivos o una barrera metálica aislada.

Tanto el alambre de espino como el alambre de arista viva no deberán ser electrificados por un energizador.

Una cerca no electrificada con alambre de púas o de arista viva puede ser utilizada para apoyar o complementar un alambre o más hilos electrificados de una cerca eléctrica para animales. Los dispositivos de apoyo para los alambres electrificados deben ser construidos de tal manera que entre dichos alambres y el plano vertical de los alambres no electrificados quede una distancia mínima de 150 mm . El alambre de espino y el alambre de arista viva deberán ser conectados a tierra en intervalos regulares.

Siga nuestras recomendaciones relativas a la toma a tierra.

Entre el electrodo (la varilla) de toma a tierra del energizador y otros elementos de conexión de sistemas de toma a tierra, como por ejemplo la tierra de protección de sistemas de suministro de corriente o la toma a tierra de sistemas de telecomunicaciones, tiene que haber una distancia mínima de 10 m.

Los cables de conexión en edificios deberán ser debidamente aislados de elementos estructurales del edificio conectados a tierra. A tal fin se pueden usar cables aislados de alto voltaje.

Cables de conexión subterráneos han de ser colocados en un tubo de material

aislante. Alternativamente se pueden usar cables aislados de alto voltaje. Los cables de conexión han de ser protegidos de pezuñas o cascos de animales o de neumáticos de vehículos hundiéndose en el terreno.

Los cables de conexión no deben ser instalados en el mismo tubo junto con cables de corriente de la red, cables de comunicación o de datos.

Los cables de conexión y los alambres de cercas eléctricas para animales no deben pasar por encima de líneas aéreas de suministro de corriente o de comunicación.

Siempre que sea posible, evite cruces con líneas aéreas de suministro de corriente. Si el cruce no se puede evitar, tiene que efectuarse debajo de la línea de suministro de corriente y en ángulos de 90° a ser posible.

Si los cables de conexión y los alambres de cercas eléctricas para animales están instalados cerca de una línea aérea de suministro de corriente, las distancias no deben ser inferiores a las de la tabla a continuación.

*Distancias mínimas desde líneas de suministro de corriente para cercas eléctricas para animales*

<b>Voltaje de la línea de corriente</b>	<b>Distancia</b>
≤1000 V	3 m
>1000 V to ≤33 000 V	4 m
>33 000 V	8 m

Si los cables de conexión y alambres de las cercas eléctricas están instalados cerca de una línea aérea de suministro de corriente, su altura por encima del suelo no deberá exceder los 3 m. Esta altura se aplica a cercas eléctricas de ambos lados de la proyección ortogonal del conductor más extremo de la línea de suministro de corriente en la superficie del suelo para una distancia de hasta

- 2 m para líneas de suministro de corriente con un voltaje nominal inferior a los 1000 V.
- 15 m para líneas de suministro de corriente con un voltaje nominal superior a los 1000 V.

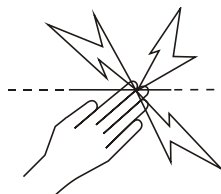
Cercas eléctricas para espantar pájaros, cercar animales domésticos o para acostumbrar animales tales como vacas tienen que ser alimentados sólo por energizadores de bajo rendimiento para obtener un resultado satisfactorio y seguro.

Si se desean usar cercas eléctricas para apartar pájaros de edificios, no se debe conectar ningún alambre de cerca eléctrica al electrodo (a la varilla) de toma a tierra del energizador. En cada punto donde personas podrían entrar en contacto con los hilos conductores, se ha de fijar un rótulo de advertencia de peligro.

Si una cerca eléctrica para animales cruza un camino público, instale en la cerca eléctrica para animales una puerta no electrificada o un paso en el lugar del cruce. En todo cruce de este tipo, hay que fijar rótulos de advertencia de peligro en los alambres electrificados.

En todas las secciones de cercas eléctricas para animales que pasan a lo largo de vías o caminos públicos se deberán fijar debidamente y en intervalos regulares rótulos de advertencia de peligro en los postes o en los alambres de las cercas.




- El tamaño mínimo de los rótulos de advertencia de peligro tiene que ser de 100 x 200 mm.
- El color de fondo para ambos lados del rótulo de advertencia de peligro tiene que ser amarillo. La inscripción en el rótulo tiene que ser de color negro. Puede elegir entre dos variantes:  
o el texto diciendo "¡ATENCIÓN!: Cerca eléctrica".
- La inscripción tiene que ser indeleble, figurar en ambos lados del rótulo de advertencia y tener una altura mínima de 25 mm.



Asegúrese de que todo el equipo auxiliar alimentado por la corriente de la red y conectado al circuito de cercas eléctricas para animales disponga de un grado de aislamiento entre el circuito de cerca y el suministro de corriente de la red equivalente al grado de aislamiento que brinda el energizador.

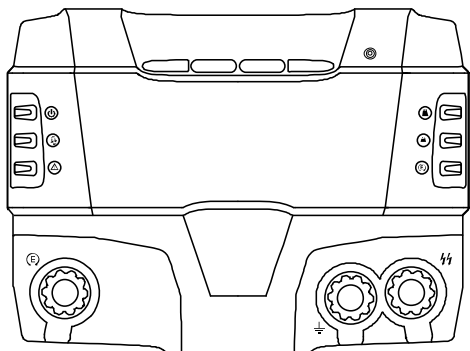
El equipo auxiliar deberá estar protegido de la intemperie, a no ser que el equipo sea certificado por el fabricante para el uso al aire libre y que el grado mínimo de protección sea de IPX4.

# Índice de preguntas y respuestas

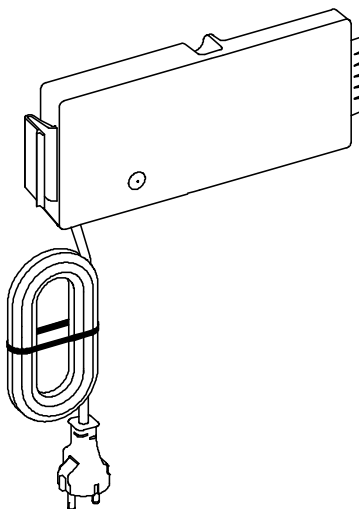
¿Cómo conecto el energizador a la cerca?	Página 39
¿Dónde puede conseguir información acerca de cómo construir una cerca eléctrica?	Página 42
¿Para que sirve la llave magnética?	Página 43
¿Cómo sé cuál es el voltaje de salida del energizador?	Página 45
¿Qué puedo hacer si suena la alarma del energizador?	Página 46
El indicador de cerca  o  está encendido. ¿Qué debo hacer?	Página 47
¿Cómo activo la función de monitoreo de toma a tierra?	Página 47
¿Cómo configuro mi control remoto para que funcione con el energizador?	Página 49
Hay un problema con la cerca, el energizador o el control remoto	Página 51
El indicador de fallas  está encendido. ¿Qué debo hacer?	Página 52

# 1 Desempaque el equipo

Revise que cuente con todos estos artículos. Si falta algo, póngase en contacto con su proveedor.



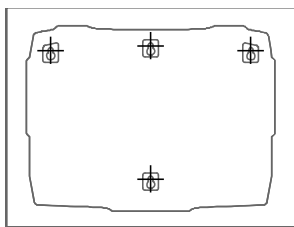
Energizador



Suministro de corriente de la red



Llave magnética

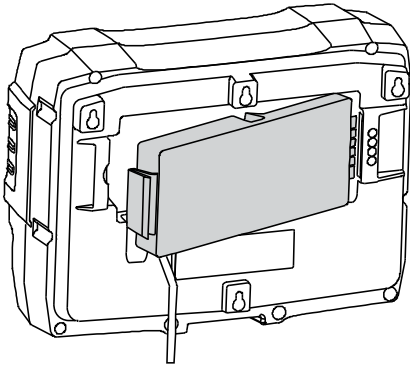


Plantilla para el montaje

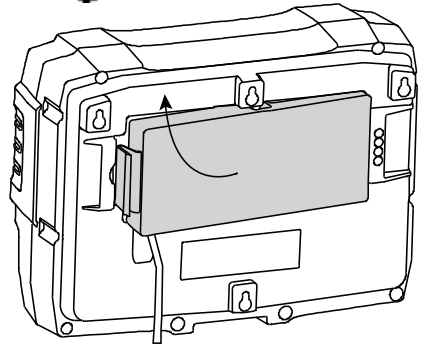
## 2 Revise que la fuente de alimentación esté conectada

*¡ATENCIÓN!* La fuente de alimentación debe conectarse de manera segura al energizador **antes** de encender el suministro de corriente.

1.



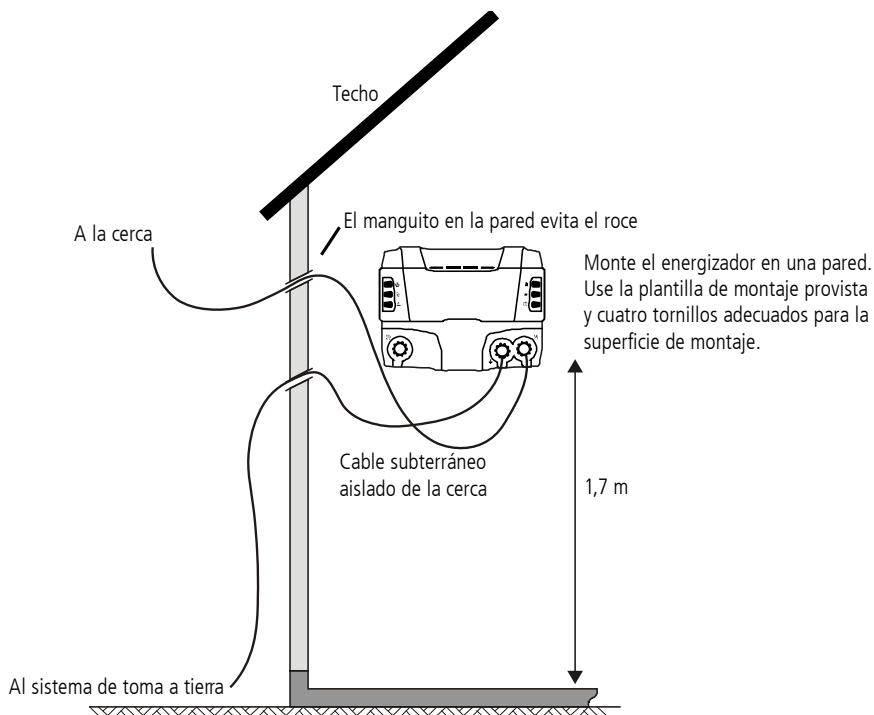
2.  ¡Clic!



*¡ADVERTENCIA!* Solo use la fuente de alimentación incluida con este energizador o un reemplazo original.

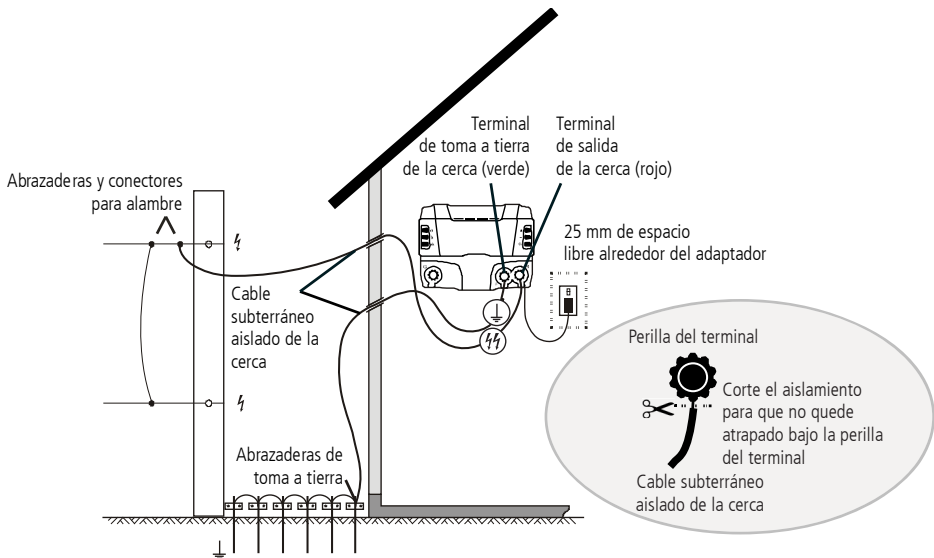
### 3 Elija un lugar adecuado para la instalación y monte el energizador

Para más información acerca de un lugar de instalación adecuado, consulte la página 41.



## 4 Conecte el energizador a la cerca, el sistema de tierra y el suministro de corriente de la red

Para instrucciones detalladas acerca de cómo construir un sistema de tierra y cerca eléctrica, visite el sitio web (consulte el paquete del energizador para los detalles).



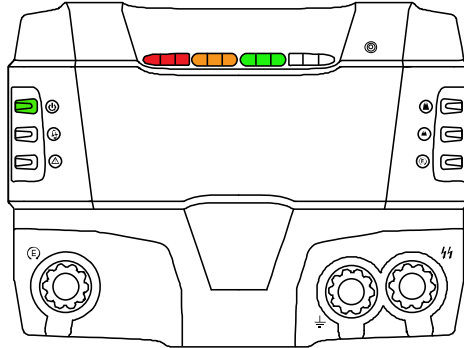
Sistema de toma a tierra con al menos seis varillas de 2 m.

*Nota:* El sistema de toma a tierra del energizador debe instalarse a no menos de 10 m de otros sistemas de tierra.

**¡ADVERTENCIA!** No utilice ningún cable prolongador o extensión de corriente.

## 5 Encienda el suministro eléctrico y vea el voltaje de salida en las luces de voltaje de salida

Para mayor información, consulte la página 45.



# Más información acerca de la instalación

## Elegir un lugar para la instalación

Lea todas las instrucciones de seguridad en este manual y las normas de seguridad gubernamentales y regionales de su país antes de instalar el energizador.

Revise que en el sitio de instalación:

- ☑ sea posible obtener una buena toma a tierra. Para consejos sobre cómo construir un buen sistema de tierra, consulte el sitio web (vea el paquete del energizador para más detalles).
- ☑ el sistema de toma a tierra esté por lo menos a 10 m de otros sistemas de toma a tierra (es decir, de líneas de teléfono y de suministro de corriente o de sistemas de toma a tierra de otros energizadores).
- ☑ no sea posible que niños y animales tengan contacto con la instalación.

El energizador debería instalarse:

- ☑ en interiores o bajo techo.
- ☑ junto a la cerca eléctrica.
- ☑ de preferencia al centro del sistema de cercado eléctrico.
- ☑ junto a un enchufe de corriente.

### *¡ADVERTENCIA!*

- Controle si su instalación de cerca cumple con todas las instrucciones y normas de seguridad de su región o de su país.
- *Europa* - Cuando la temperatura es menor a 5 °C, el energizador debe ubicarse en un sitio cerrado y no debe tocarse.

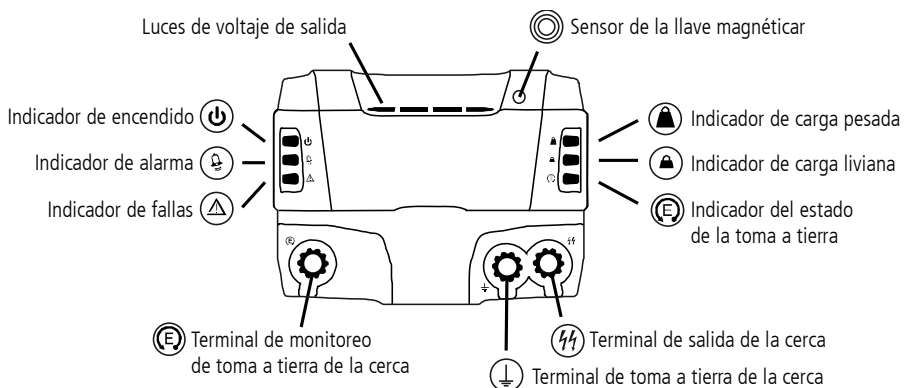
# Cómo construir un sistema de tierra y cerca eléctrica

Para instrucciones detalladas acerca de cómo construir un sistema de tierra y cerca eléctrica, visite el sitio web (consulte el paquete del energizador para los detalles).

*Nota:* Para este energizador, recomendamos usar al menos **seis** varillas de toma a tierra de 2 m.

## Uso del energizador

### Partes del energizador



### Cómo encender el energizador

El energizador se activará tan pronto se enchufe al suministro de corriente y se encienda en la pared.



## Cómo apagar el energizador

*¡ADVERTENCIA!* El energizador volverá a encenderse después de una interrupción de corriente, incluso si estaba en modo de reserva antes de la interrupción de corriente. La cerca debe ser considerada como viva en todo momento, independientemente de que esté en modo de reserva o no. Si Ud. está trabajando en una sección de la cerca, aíse dicha sección con un interruptor cortacorriente o desconecte el energizador del suministro de corriente.

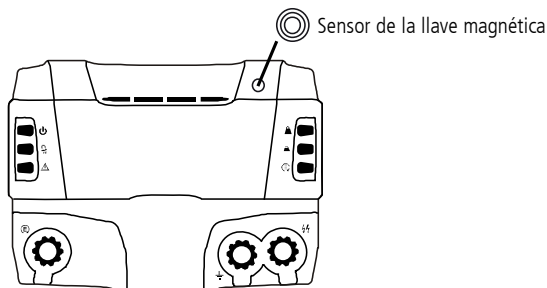
Para apagar el energizador por completo, mientras trabaja en una sección de la cerca:

Apague el energizador y desconéctelo del suministro de corriente.

## Uso de la llave magnética

Puede usar la llave magnética para colocar el energizador en modo de reserva y para encenderlo desde el modo de reserva. Para usar la llave magnética, sostenga la llave contra el sensor de llave magnética, marcado en la caja del energizador con el icono

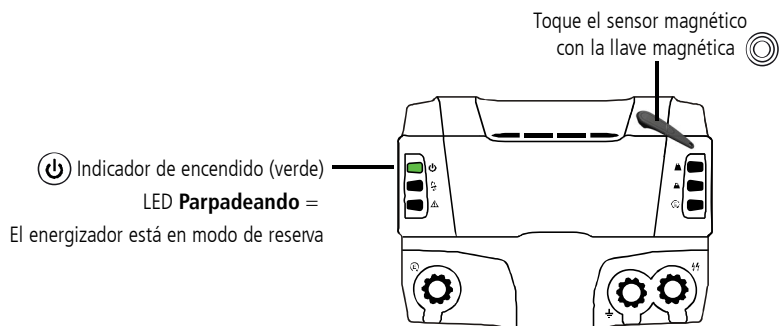
☉. El sensor de llave magnética está ubicado aquí:



## Cómo colocar el energizador en el modo de reserva ('standby')

En vez de apagar el energizador desde la pared, recomendamos usar la llave magnética para colocar el energizador en el modo de reserva. En el modo de reserva, el energizador permanece encendido, pero no habrá voltaje de salida en el terminal de salida a la cerca.

Para colocar el energizador en el modo de reserva usando la llave magnética:



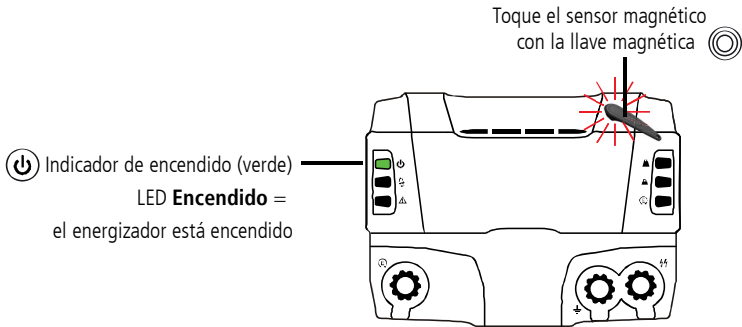
---

*Nota:* Como alternativa, puede usarse el control remoto para colocar el energizador en modo de reserva. Consulte el manual del usuario del control remoto. Todos los manuales de usuario están disponibles en el sitio web (vea el paquete del energizador para más detalles).

---

# Cómo encender el energizador desde el modo de reserva

Para encender el energizador desde el modo de reserva usando la llave magnética:



*Nota:* Como alternativa, puede usarse el control remoto para encender el energizador desde el modo de reserva. Consulte el manual del usuario del control remoto. Todos los manuales de usuario está disponibles en el sitio web (vea el paquete del energizador para más detalles).

# Cómo ver el voltaje de salida


Las luces del voltaje de salida muestran el voltaje de salida del energizador. Cada segmento de luz representa 1 kV.



# Cómo monitorear el rendimiento de la cerca eléctrica

Las funciones siguientes permiten monitorear el rendimiento de la cerca eléctrica.

## Respuesta a una alarma

Si el energizador detecta un incremento repentino en la carga a la cerca, empezará a parpadear el indicador de la alarma , se reducirá la tasa de impulsos a tres segundos y el timbre de la alarma sonará por hasta 10 minutos.

Esto puede ocurrir:

- si se cierra un interruptor de circuito, conectando una sección con carga pesada de la cerca al energizador.
- si cae una rama sobre la cerca.
- si la cerca o el cable de salida que conecta el energizador a la cerca experimenta un corto a tierra repentino.
- si un animal o persona se enreda en la cerca.

20 segundos después de que la cerca experimente una carga pesada, el energizador incrementará su potencia de salida para energizar con mayor eficacia la cerca.

Cuando se produce una alarma, desconecte el energizador del suministro de corriente de la red, ubique y solucione el problema y, luego, encienda el energizador de nuevo.

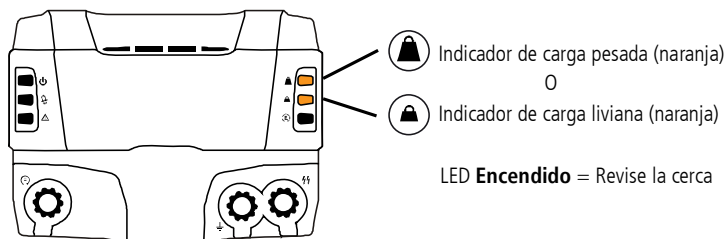
---

*Nota:* Si una persona toca la cerca eléctrica, se producirá un retraso de 20 segundos antes de que se produzca la energía completa del energizador. Esto permite que la persona tenga tiempo de retirarse de la cerca.

---

## Cómo interpretar las luces indicadoras de la cerca

Las luces indicadoras de la cerca le avisan cuando algo anda mal con su cerca.



Si el indicador de carga pesada está encendido, desconecte el indicador del suministro de corriente y revise si ha caído una rama sobre la cerca o algo se ha enredado en ella. Compruebe haciendo corto circuito sobre la cerca y en el cable de salida del energizador a la cerca. Use un detector de fallas o un control remoto con detector de fallas para ayudarlo.

Si el indicador de carga liviana está encendido, revise que no haya pasto o matorrales tocando la cerca.

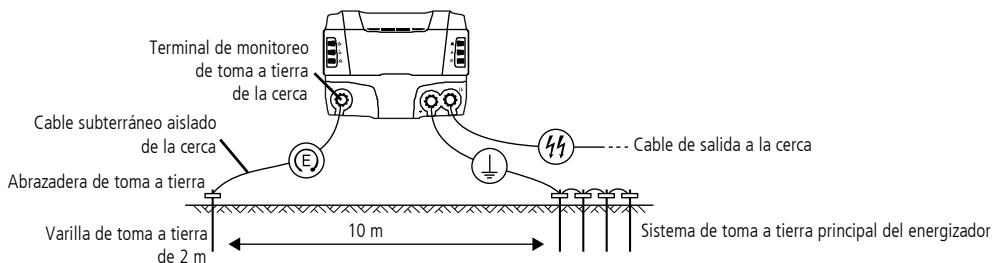
## Monitoreo de la toma a tierra

La calidad de la toma a tierra influye en el voltaje de la cerca. La función de monitoreo de la toma a tierra le permite comprobar constantemente el estado del sistema de tierra, para así obtener los mejores resultados de su cerca eléctrica.

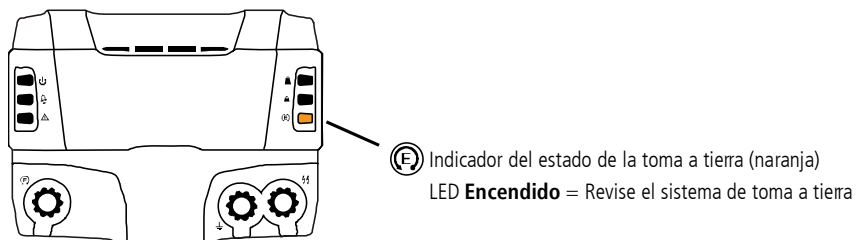
La función de monitoreo de la toma a tierra funciona comparando el voltaje del sistema principal de toma a tierra del energizador con el de una varilla de toma a tierra separada. Asegúrese de que la varilla de toma a tierra separada esté por lo menos a 10 m de cualquier otro sistema de toma a tierra, incluido el sistema de toma a tierra principal del energizador.

Posicione la varilla de toma a tierra en el sentido opuesto al alambre de salida. Entierre una varilla de toma a tierra de 2 m en el suelo. Utilice un cable aislado

subterráneo de alta tensión y una abrazadera de toma a tierra para conectar la varilla de toma a tierra al terminal de monitoreo de toma a tierra del energizador.



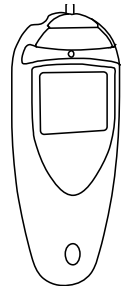
## Cómo interpretar el indicador de estado de la tierra



Si el indicador de estado de la tierra está encendido, siga los consejos acerca de la instalación y el mantenimiento de un sistema de tierra efectivo, disponible en el sitio web (consulte el paquete del energizador para más detalles).

# Cómo usar el control remoto para cercas con detector de fallas (el control remoto)

Es posible comprar el control remoto para cercas con detector de fallas como un accesorio opcional. Con él, podrá controlar el energizador de manera remota. El energizador y el control remoto deben programarse para que funcionen juntos.



## Cómo programar el energizador y el control remoto

Debe configurar el energizador y el control remoto con el mismo "ajuste de dirección" para que puedan comunicarse. Siga estos pasos:

- 1 Desconecte el energizador del suministro de corriente y espere 5 minutos antes de reconectarlo O sostenga la llave magnética en el sensor magnético durante 1 segundo.
- 2 Abra el menú de configuración del control remoto y seleccione la opción de dirección.
- 3 Transmita la dirección al energizador.
- 4 Compruebe el energizador para asegurarse de que este obedece los comandos del control remoto.

Las instrucciones completas están incluidas en el manual de usuario que vino con su control remoto.

---

*Nota:* Todos los manuales de usuario está disponibles en el sitio web (vea el paquete del energizador para más detalles).

---

## Cómo identificar el ajuste de dirección del energizador

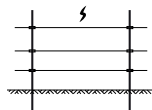
Es posible que sea necesario identificar el ajuste de dirección del energizador durante la Resolución de problemas. Para ver el ajuste de dirección del energizador, desconecte el energizador del suministro de corriente y espere 5 minutos antes de reconectarlo O **sostenga** la llave magnética en el sensor magnético durante 1 segundo. La dirección se mostrará durante 5 segundos. Observe las luces LED que estén iluminadas.

Si todas se encienden en secuencia, de un lado para otro, esto quiere decir que el energizador está configurado con la dirección cero (0), y que no se ha ajustado para usarse con el control remoto.

Para una lista completa de las direcciones disponibles, consulte el manual de usuario del control remoto.

# Solución de problemas

## Problemas con la cerca



*El voltaje de la cerca es inferior a 4 kV (el voltaje necesario para controlar animales).*

### ¿La cerca tiene una falla?

- 1 Revise la cerca usando el detector de fallas o un control remoto con detector de fallas. Estos medidores combinados de voltaje y corriente le permiten localizar rápidamente fugas existentes. Alternativamente utilice un voltímetro digital.
- 2 Utilice un interruptor cortacorriente para apagar el suministro de corriente de las diferentes secciones de la cerca. Si el voltaje en la cerca aumenta cuando una sección determinada está apagada, controle esta sección por posibles fallas.
- 3 Repare o solucione las fallas, según sea necesario.

### ¿El sistema de toma a tierra tiene una falla?

- 1 Configure la función de monitoreo de toma a tierra y compruebe el sistema (consulte la página 47).
- 2 Si hay una falla en el sistema de toma a tierra, visite el sitio web (vea el paquete del energizador para más detalles) para consultar los consejos sobre instalación y mantenimiento de un sistema de toma a tierra efectivo.

### ¿El energizador tiene una falla?

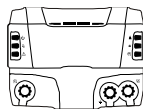
- 1 Verifique que el energizador esté encendido.
- 2 Desconecte el alambre de la cerca del terminal de salida del energizador.
- 3 Mida el voltaje en los terminales del energizador mediante un detector de fallas, un voltímetro digital o un mando a distancia portátil.

Si el voltaje es inferior a los 6 kV, el energizador podría necesitar reparación.

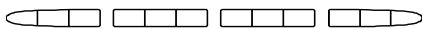
### ¿Dudas sobre el diseño de la cerca (extensiones recientes, diseño no ideal, condiciones de la tierra)?

Si la cerca, el sistema de toma a tierra y el energizador están en buen estado, pregúntele a su distribuidor para recibir consejos.

# Problemas con el energizador



*Ninguna luz indicadora está parpadeando en el energizador.*



¿La fuente de alimentación o el energizador presentan fallas?

- 1 Revise la luz LED de la fuente de alimentación. Si es verde, revise que la fuente de alimentación se ajuste adecuadamente al energizador y que el suministro de corriente esté encendido. Si es roja, la fuente de alimentación tiene una falla y debe enviarse a reparación.
- 2 Si el energizador sigue sin funcionar, podría necesitar reparación.

*El indicador de carga pesada está encendido.*



¿Es posible que haya caído una rama sobre la cerca o hay algo enredado en ella?

Desconecte el energizador del suministro de corriente y revise la cerca.

¿Es posible que haya un corto circuito en la cerca o en el cable de salida del energizador a la cerca?

Revise con un detector de fallas o un control remoto con detector de fallas para ayudarlo. Repare o solucione las fallas, según sea necesario.

*El indicador de carga ligera está encendido.*



¿Hay pasto o matorrales tocando la cerca?

Revise la cerca y retire cualquier material que toque la cerca.

*El indicador de estado de la toma a tierra está encendido.*

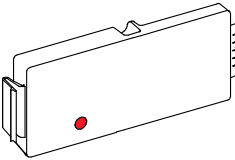
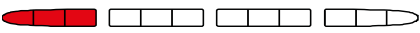



## ¿El sistema de toma a tierra tiene una falla?

Visite el sitio web (vea el paquete del energizador para más detalles) para consultar los consejos sobre instalación y mantenimiento de un sistema de toma a tierra efectivo.

*El indicador de fallas está encendido. ¿Qué quieren decir los códigos de fallas?*



Código de falla	Posible causa	Posible solución
<p>El indicador de fallas está encendido y hay una luz LED roja iluminada en la fuente de alimentación.</p> 	<p>La fuente de alimentación tiene una falla.</p>	<p>Es necesario reemplazar la fuente de alimentación. Envíe la fuente de alimentación a su distribuidor.</p>
<p>El indicador de fallas está encendido y las luces LED rojas están iluminadas. Otras luces LED se iluminarán también (esto representa el código de falla).</p> 	<p>Falla en el energizador. El energizador tiene una falla que posiblemente afecte su rendimiento.</p>	<p>Tome una foto del código que se muestra y contacte a su distribuidor.</p>
<p>El indicador de fallas está encendido y las luces LED anaranjadas están iluminadas.</p> 	<p>El energizador se está sobrecalentando.</p>	<p>Revise que el energizador se haya instalado en un área bien ventilada y fresca. Si este código de falla persiste, contacte a su distribuidor.</p>

*El indicador de alarma parpadea y suena el timbre de la alarma.*



El energizador ha detectado un incremento repentino en la carga a la cerca.

Esto puede ocurrir:

- si se cierra un interruptor de circuito, conectando una sección con carga pesada de la cerca al energizador.
- si cae una rama sobre la cerca.
- si la cerca o el cable de salida que conecta el energizador a la cerca experimenta un corto a tierra repentino.
- si un animal o persona se enreda en la cerca.

Apague el energizador y ubique y remedie la falla. Luego, encienda el energizador de nuevo.

*El energizador pasa a modo de reserva de manera inesperada.*

**¿El control remoto del vecino afecta su energizador?**

Cambie el ajuste de dirección de su energizador usando el control remoto (vea el manual del usuario de su control remoto).

## Servicio

Este energizador no contiene piezas de las cuales el usuario puede llevar a cabo el servicio. Debe enviarlo a un agente de servicio certificado por Datamars Limited para su reparación. El cable de suministro de corriente no puede ser reemplazado. Si dicho cable está dañado, se debe reemplazar la fuente de alimentación por completo.

# Garantía

La garantía de este producto cubre defectos de materiales y de fabricación durante un periodo a partir de la fecha de la compra. Si ocurre un defecto cubierto por la garantía, devuelva este producto junto el comprobante de la compra al lugar de la compra. Detalles relativos a periodos de garantía y otras condiciones están disponibles en el lugar de la compra o en [www.datamars.com](http://www.datamars.com)

---

## *Nota:*

- No se asume ninguna responsabilidad por cualquier tipo de accidente o daño debidos a una manipulación indebida, a una modificación no autorizada o a un uso incorrecto de este producto incluidos (pero no limitados a) reparaciones o cambios que no hayan sido efectuados por Datamars o sus agentes.
- Hasta la máxima extensión permitida por la ley, esta garantía es exclusiva, personal para Ud. y reemplaza todas las demás garantías, representaciones o condiciones relativas a este producto (de manera expresa o implicada cada vez que surge) que tienen su origen en estatutos, leyes, comercio, uso u otro.
- La garantía de este producto solo es válida en el país donde se compró. Los reclamos hechos en otros países podrían incurrir en gastos de reparación a expensas del propietario.

---

## Datos técnicos

Suministro de corriente	Use solo la fuente de alimentación de 220-240 V
Consumo de corriente	25 W
Voltaje máximo de salida	10,3 kV @ 450 $\Omega$
Energía máxima de salida	14,2 J con 50 $\Omega$
Energía máxima almacenada	21 J

Se trata de valores típicos. Se deberían tener en cuenta tolerancias de fabricación normales de  $\pm 5\%$ .

[this page is intentionally blank]

# Säkerhetsinformation

---

*OBS:* Denna produkt har konstruerats för användning med eldjurstängsel.

---

## Allmänna varningar

### *VARNING!*

- Detta aggregat är inte avsett att användas av människor (inklusive barn) med reducerad fysisk, sensorisk eller mental förmåga eller som saknar erfarenhet och kunskap, förutom om de övervakas eller instrueras om hur aggregatet används av en person som ansvarar för deras säkerhet.
- Småbarn bör övervakas så att de inte leker med aggregatet. Rengöring och underhåll av användaren får inte utföras av barn utan uppsikt.
- Koppla bort aggregatet före installation eller utförande av arbeten på stängslet.
- Risk för elektrisk stöt! Detta aggregat får endast öppnas och repareras av behörig personal.

## Varningar specifika för detta aggregat

### *VARNING!*

- *Europa* - Om temperaturen ligger under 5 °C måste aggregatet finnas under ett skydd och får inte hanteras.
- Elsladden får inte bytas ut. Om sladden skadas ska denna strömförsörjning skrotas.
- Det här aggregatet måste monteras säkert med fyra skruvar lämpliga för monteringsytan.

## Förklaring av symboler på aggregatet



Läs alla instruktionerna innan användning.



Denna symbol på produkten eller dess förpackning indikerar att denna produkt inte får kasseras med vanliga sopor. Det är i stället din skyldighet att kassera utrustningen genom att lämna in den på en särskild återvinningscentral för elektrisk och elektronisk utrustning. Den separata insamlingen och återvinningen av utrustningen hjälper till att bevara naturliga resurser och se till att den återvinns på ett sätt som skyddar människa och miljö. För mer information om var du kan lämna in utrustningen för återvinning, kontakta din lokala återvinningsstation eller handlaren där du köpte produkten.



Aggregatet har en dubbelisolerad konstruktion.



Aggregat markerade med denna symbol är aggregat med tidsfördröjning avsedda för elektriska stängsel med en fördröjning på 20 sekunder.



Den här apparaten innehåller en jordanslutning enbart för funktionssyften.

## Definition av särskilda begrepp

*Elstängselaggregat* – En apparat som periodvis avger spänningsimpulser till ett stängsel som är anslutet till det.

*Stängsel* – En barriär för djur eller i säkerhetssyfte, bestående av en eller flera ledare såsom metalltrådar, stavar eller räcken.

*Elstängsel* – En barriär som innehåller en eller flera elektriska ledare, isolerade från jord, på vilka elektriska pulser läggs av ett aggregat.

*Stängselkrets* – Alla ledande delar eller komponenter inom ett aggregat som är anslutna eller ska anslutas, galvaniskt, till utgångspolerna.

*Jordningselektrod* – Metallstruktur som drivs ner i marken nära ett aggregat och som ansluts till jordningsuttagets poler på aggregatet, och som är oberoende av andra jordningsarrangemang.

*Anslutningsledning* – En elektrisk ledare som används till att ansluta aggregatet till det elstängslet eller jordningselektroden.

*Elektriskt djurstängsel* – Ett elstängsel som används till att hålla kvar djur inom eller utestänga djur från ett bestämt område.

# Krav på eldjurstängsel

I enlighet med bilaga BB avsnitt BB.1 i EN 60335-2-76

Eldjurstängsel och dess extrautrustning ska installeras, användas och underhållas så att de inte utgör någon fara för människor, djur eller omgivning.

Undvik eldjurstängselkonstruktioner där djur eller människor kan fastna.

*Installatörer/användare ska beakta följande:*

**VARNING!** Undvik kontakt med elstängselledningar, särskilt med huvudet, halsen eller överkroppen. Klättra inte över, genom eller under ett multiledningselstängsel. Använd en grind eller en speciellt konstruerad övergångspunkt.

Ett eldjurstängsel får inte matas från två eller fler aggregat eller från oberoende stängselkretsar hos samma aggregat.

För två olika eldjurstängsel, som vart och ett matas från olika aggregat med oberoende tidsinställning, ska avståndet mellan ledningarna på de två eldjurstängslen vara minst 2,5 m. Om detta mellanrum ska slutas ska det ske med material som inte är icke-ledande eller en isolerad metallbarriär.

Taggtråd eller skärtråd får inte elektrifieras med ett aggregat.

Ett ej elektrifierat stängsel som omfattar taggtråd eller skärtråd får användas som stöd för en eller fler elektrifierade offset-ledningar på ett eldjurstängsel. Stödanordningarna för de elektrifierade ledningarna ska vara konstruerade så att dessa ledningar placeras på ett minsta avstånd av 150 mm från de ej elektrifierade ledningarnas vertikalplan. Taggtråd och skärtråd ska jordledas med jämna mellanrum.

Följ våra rekommendationer angående jordning.

Ett avstånd på minst 10 m mellan aggregatets jordningselektrod och andra anslutna delar för jordningssystem, t.ex. strömförsörjningens skyddsjordning eller telekommunikationssystemens jordning, ska hållas.

Anslutningsledningar som går inuti byggnader ska vara effektivt isolerade från byggnadens jordade strukturella delar. Detta kan åstadkommas med en isolerad högspänningskabel.

Underjordiska anslutningsledningar ska löpa i skyddsrör av isolerande material eller också ska en isolerad högspänningskabel användas. Var försiktig så att anslutningsledningarna inte skadas från djurens hovar eller klövar eller från traktorhjul som sjunker ner i marken.

Anslutningsledningar får inte installeras i samma skyddsrör som strömförsörjnings-, kommunikations- eller datakablar.

Anslutningsledningar och elstängselledningar får inte löpa ovanför luft- eller kommunikationsledningar.

Korsningar med luftledningar bör helst undvikas. Om en sådan korsning inte kan undvikas ska den ske under luftledningen och i så rät vinkel mot den som möjligt.

Om anslutningsledningar och elstängselledningar installeras nära en luftledning får avstånden inte vara mindre än vad som anges nedan.

#### *Minsta avstånd till kraftledning*

#### **Kraftledningens spänning Avstånd**

---

≤1000 V	3 m
>1000 V till ≤33,000 V	4 m
>33,000 V	8 m

Om anslutningsledningar och eldjurstängselledningar installeras nära en luftledning får de inte löpa högre än 3 m ovanför marken. Denna höjd gäller bägge sidor av den rätvinkliga projektionen av kraftledningens yttersta ledare på markytan under en sträcka på:

- 2 m för kraftledningar som arbetar vid märkspänning på högst 1 000 V.
- 15 m för kraftledningar som arbetar vid en märkspänning på högst 1 000 V.

Eldjurstängsel avsedda att skrämja bort fåglar, hålla inne husdjur eller träningsdjur

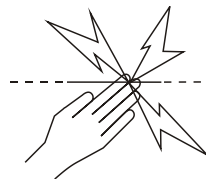
som t.ex. kor, behöver endast matas från lågeffektaggregat för att fungera bra och säkert.

Elstängsel avsedda att skrämma bort fåglar från tak: ingen elektrisk stängselledning ska anslutas till aggregatets jordningselektrod. En varningsskylt om elstängsel ska monteras på varje punkt där någon lätt kan komma åt ledarna.

Där ett elektriskt djurstängsel korsar en allmän stig ska en ej elektrifierad grind byggas in i det elstängslet vid den punkten, eller också ska en korsning anordnas med hjälp av en stätta. Vid en sådan korsning ska angränsande elektrifierade ledningar vara försedda med varningsskyltar om elstängsel.

Alla delar av ett elstängsel som installeras längs en allmän väg eller stig ska identifieras med täta mellanrum av varningsskyltar som är stadigt fästa på stängselstakarna eller ordentligt fastklämda på stängselledningarna.




- Storleken på varningsskylten ska vara minst 100x200 mm.
- Bakgrundsfärgen på bägge sidor av varningsskylten ska vara gul. Påskriften på skylten ska vara svart och ska antingen vara:  
eller varna "SE UPP: Elstängsel".
- Påskriften ska inte kunna utplånas, den ska stå på bägge sidor av varningsskylten och vara minst 25 mm.



Se till att all nätdriven extrautrustning ansluten till eldjurstängslets krets ger en grad av isolering mellan stängselkretsen och kraftförsörjningen likvärdig med den som erhålls av aggregatet.

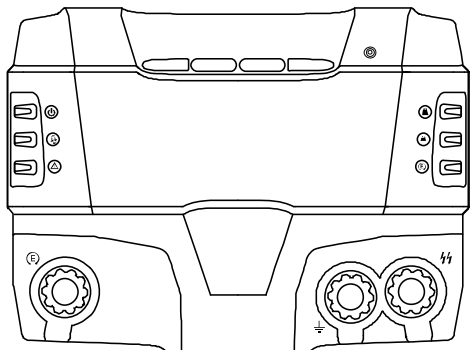
Väderskydd ska finnas för extrautrustning om utrustningen ej är certifierad av tillverkaren som passande för utomhusanvändande, och är av typen med ett minimalt skydd IPX4.

# Frågor och svar index

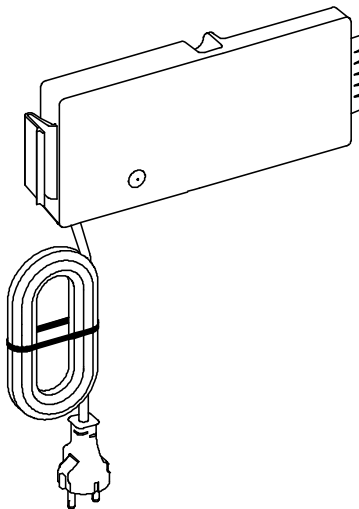
Hur ansluter jag aggregatet till stängslet?	Sida 66
Var hittar jag information om hur man bygger ett elstängsel?	Sida 68
Vad används magnetnyckeln till?	Sida 70
Hur vet jag vad aggregatets utgångsspänning är?	Sida 71
Ett larm ljuder på aggregatet - vad ska jag göra?	Sida 72
En stängselindikator  eller  är på - vad ska jag göra?	Sida 73
Hur ställer jag in jordningsövervakningsfunktionen?	Sida 73
Hur ställer jag in min fjärrkontroll så att den fungerar med aggregatet?	Sida 75
Det är något fel på stängslet, aggregatet eller fjärrkontrollen	Sida 76
Felindikatorn  är på - vad ska jag göra?	Sida 77

# 1 Packa upp lådan

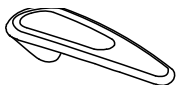
Kontrollera att du har alla dessa delar. Om något saknas måste du kontakta återförsäljaren.



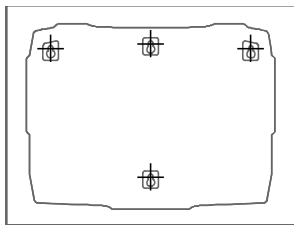
Aggregat



Nätförsörjning



Magnetnyckel

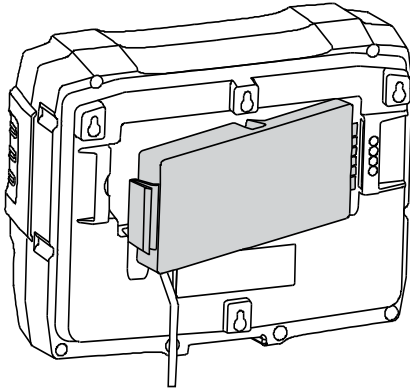


Monteringsmall

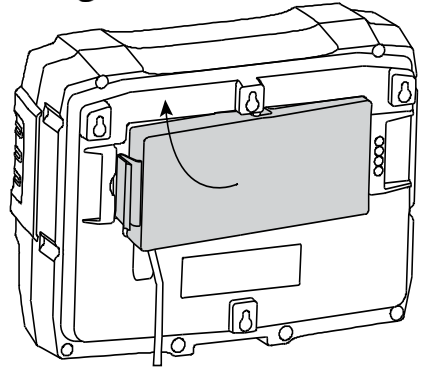
## 2 Kontrollera att strömförsörjningen är ansluten

*SE UPP!* Strömförsörjningen måste var säkert ansluten till aggregatet **innan** du sätter på nätförsörjningen.

1.



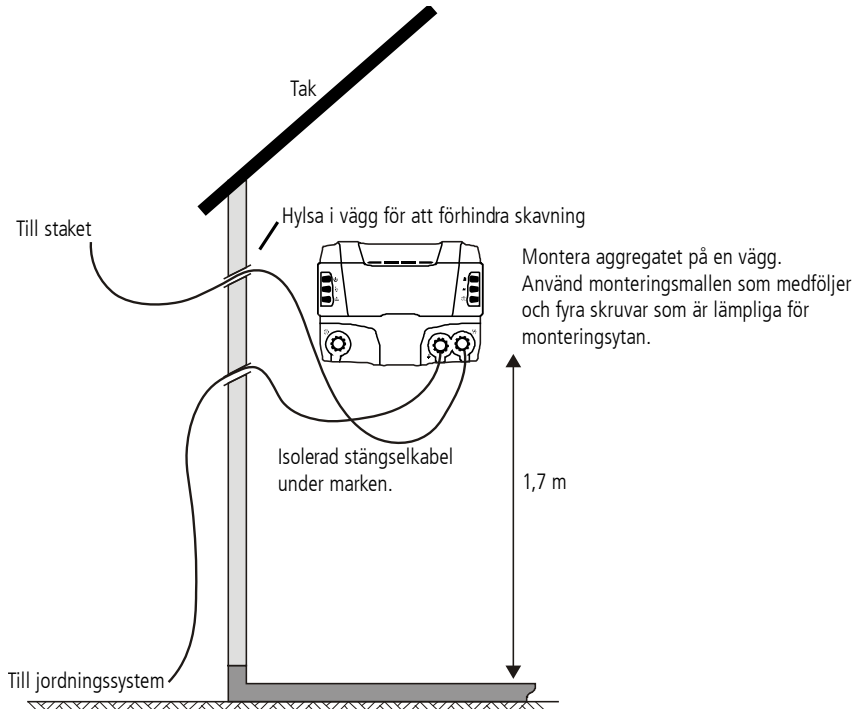
2.  Klick!



*WARNING!* Använd endast strömförsörjningen som medföljer aggregatet eller en originalreservdel.

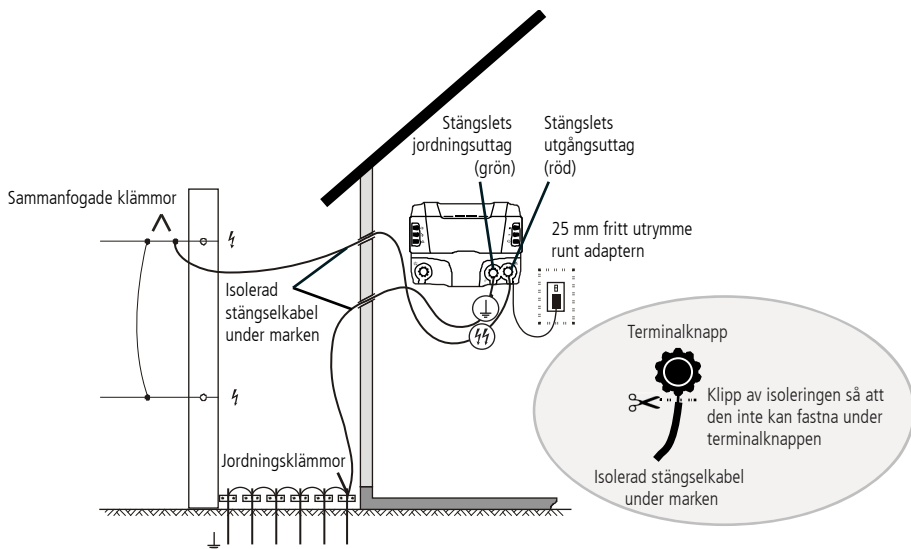
### 3 Välj en lämplig installationsplats och montera aggregatet

För information om val av lämplig installationsplats, se sidan 68.



## 4 Anslut aggregatet till stängslet, jordningssystemet och nätförsörjningen

För detaljerad information om hur man bygger ett elstängsel och ett jordningssystem, besök webbsidan (se aggregatets förpackning för detaljerad information).



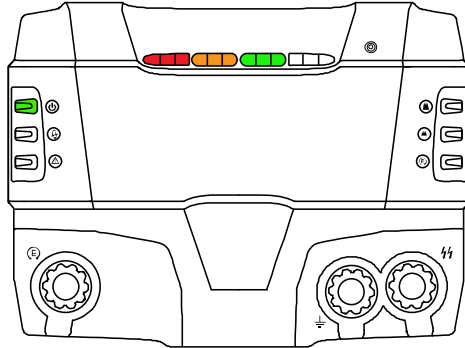
Jordningssystemet består av minst sex 2 m långa jordstavar.

OBS: Aggregatets jordningssystem måste vara minst 10 m från andra jordningssystem.

**VARNING!** Använd inte en förlängningsladd.

## 5 Sätt på nätförsörjningen och titta på utgångsspänningen på utgångsspänningslamporna

För detaljerad information, se sidan 71.



# Mer information om installation

## Att välja en monteringsplats

Läs alla säkerhetsinstruktioner i den här bruksanvisningen och alla relevanta nationella, regionala och lokala säkerhetsstandarder innan aggregatet installeras.

Kontrollera att installationsplatsen är en plats där:

- bra jordning kan erhållas. För tips om hur ett bra jordningssystem skapas, besök webbsidan (se aggregatets förpackning för detaljerad information).
- jordningssystemet kommer att vara minst 10 m från andra jordningssystem (t.ex. telefon, kraftnät eller jordningssystem för ett annat aggregat).
- barn och djur inte kan komma i kontakt med installationen.

Aggregatet ska installeras:

- inomhus eller under ett skydd.
- nära det elektriska stängslet.
- helst i mitten av det elektriska stängselsystemet.
- nära ett nätanslutningsuttag.

### *VARNING!*

- Kontrollera din installation för att försäkra dig om att den överensstämmer med lokala säkerhetsbestämmelser.
- *Europa* - Om temperaturen ligger under 5 °C måste aggregatet finnas under ett skydd och får inte hanteras.

## Bygga ett elstängsel och ett jordningssystem

För fullständiga anvisningar om hur man bygger ett elstängsel och ett jordningssystem, besök webbsidan (se aggregatets förpackning för detaljerad information).

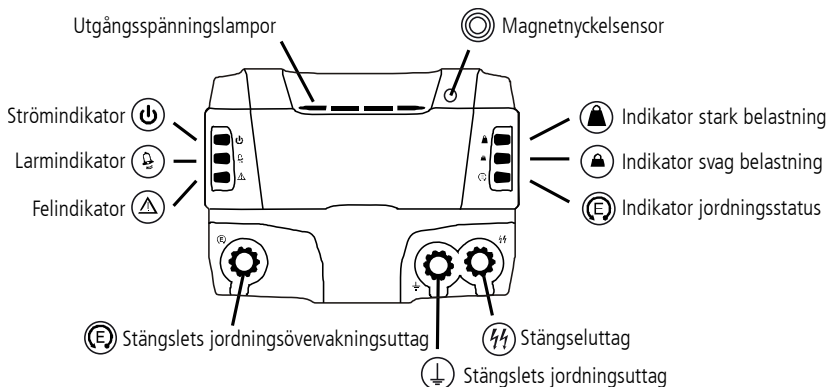
---

*OBS:* För detta aggregat rekommenderar vi att minst **sex** 2 m jordningsstavar används i jordningssystemet.

---

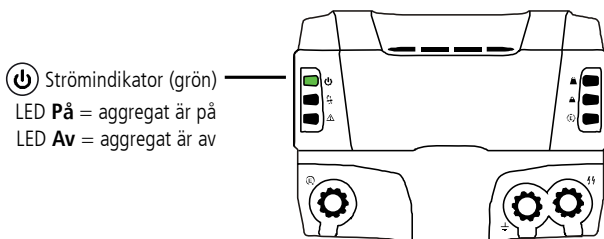
# Använda aggregatet

## Aggregatets delar



## Sätta på aggregatet

Aggregatet kopplas till så snart det ansluts till nätförsörjningen och sätts på i väggen.




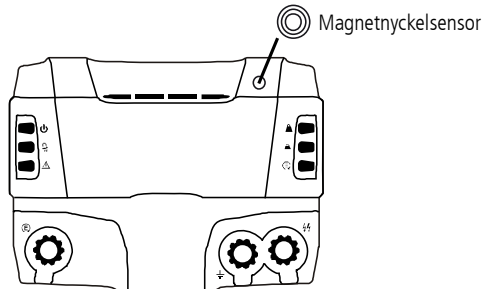
## Stänga av aggregatet

**VARNING!** Aggregatet återaktiveras efter ett strömavbrott, även om det befann sig i beredskapsläget innan strömavbrottet. Stängslet måste alltid anses vara strömförande, oavsett om aggregatet är i beredskapsläge eller inte. Om du arbetar på ett stängselavsnitt, isolera avsnittet med en fränslagsbrytare eller koppla bort aggregatet från nätförsörjningen.

Stäng av aggregatet helt medan arbeten utförs på en del av stängslet:  
Stäng av aggregatet från väggen och koppla bort det från nätförsörjningen.

# Använda magnetnyckeln

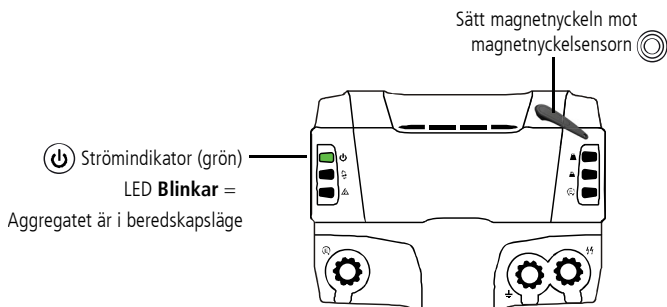
Du kan använda magnetnyckeln för att försätta aggregatet i beredskapsläget och sätta på det från beredskapsläget. Använd magnetnyckeln genom att hålla magnetnyckeln mot magnetnyckelsensorn som finns markerad på aggregatets hölje . Magnetnyckelsensorn finns här:



## Ta aggregatet till beredskapsläget

I stället för stänga av aggregatet från väggen rekommenderar vi att magnetnyckeln används för att ta aggregatet till beredskapsläget. I beredskapsläget är aggregatet på men det finns ingen utgångsspänning vid stängslets utgångsuttag.

För att ta aggregatet till beredskapsläget med magnetnyckeln:



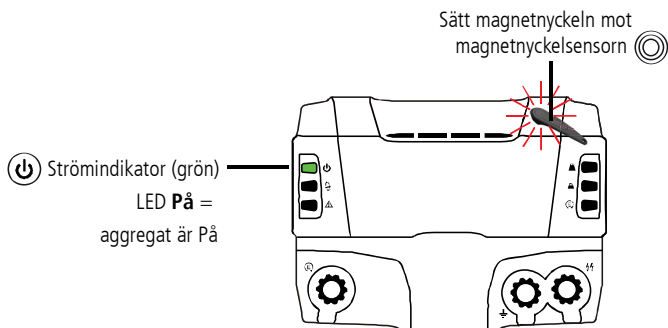
---

*OBS:* Alternativt kan man använda fjärrkontrollen för att ta aggregatet till beredskapsläget. Se bruksanvisningen för fjärrkontrollen. Alla bruksanvisningar finns tillgängliga på webbsidan (aggregatets förpackning för detaljerad information).

---

# Sätta på aggregatet från beredskapsläget

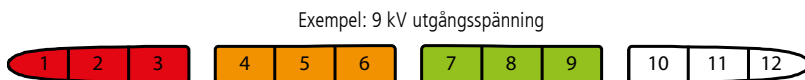
Sätta på aggregatet från beredskapsläget med magnetnyckeln:



*OBS:* Alternativt kan man använda fjärrkontrollen för att sätta på aggregatet från beredskapsläget. Se bruksanvisningen för fjärrkontrollen. Alla bruksanvisningar finns tillgängliga på webbsidan (aggregatets förpackning för detaljerad information).

## Avläsa utgångsspänningen


Utgångsspänningslamporna visar utgångsspänningen på aggregatet. Varje lampsegment representerar 1 kV.



# Övervaka elstängslets prestanda

Följande egenskaper tillåter dig att övervaka elstängslets prestanda.

## Svara på ett larm

Om aggregatet detekterar en plötslig ökning i belastningen av stängslet blinkar larmindikatorn,  pulshastigheten minskar till tre sekunder och larmet ljuder i upp till 10 minuter.

Detta kan hända:

- om en strömbrytare är stängd som ansluter ett starkt belastat avsnitt till aggregatet.
- om en gren faller ner på stängslet.
- om stängslet eller utgångskabeln som ansluter aggregatet till det utsätts för en plötslig kortslutning till jordningen.
- om något fastnar i stängslet.

20 sekunder efter att stängslet blir mycket starkt belastat ökar aggregatet utgångseffekten för att på ett effektivare sätt förse stängslet med energi.

När ett larm avges, koppla bort aggregatet från nätförsörjningen, lokalisera och åtgärda felet och sätt sedan på aggregatet igen.

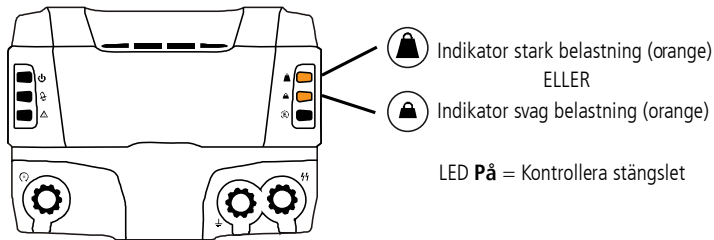
---

*OBS:* Om en person tar på elstängslet tar det 20 sekunder innan aggregatet avger full energimängd. Detta ger personen möjlighet att avlägsna sig från stängslet.

---

# Tolka stängslets indikatorlampor

Stängslets indikatorlampor talar om när det är något fel på stängslet.



Om indikatorn för stark belastning lyser, koppla bort aggregatet från nätförsörjningen, kontrollera sedan stängslet för att se om det har fallit ner en gren på det eller något har fastnat i stängslet. Kontrollera efter kortslutning på stängslet och på utgångsledningen som ansluter aggregatet till stängslet. Använd felsökaren eller ta hjälp av fjärrkontrollen för stängslet med felsökaren.

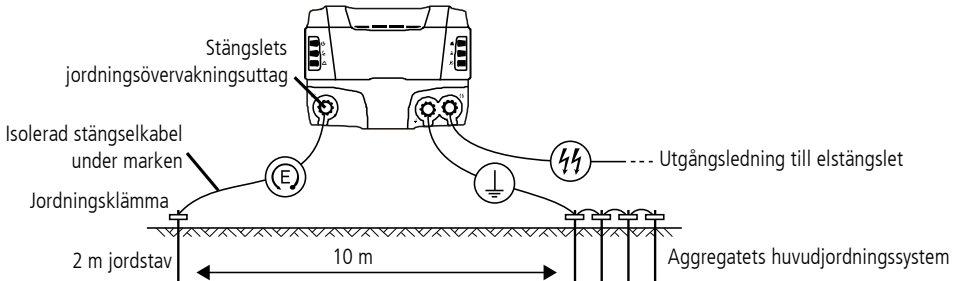
Om indikatorn för svag belastning lyser, kontrollera stängslet för att försäkra dig om att gräs eller undervegetation inte kommer i kontakt med stängslet.

## Övervaka jordningen (tillval)

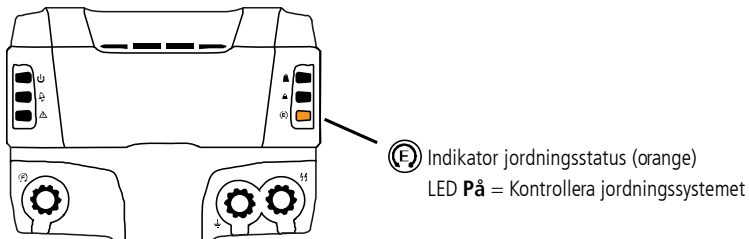
Kvaliteten på jordningen påverkar stängslets spänning. Jordövervakningsfunktionen tillåter dig att alltid se hur jordningssystemet fungerar, för att få bästa resultat från ditt elstängsel.

Jordövervakningsfunktionen arbetar genom att jämföra spänningen på aggregatets huvudjordningssystem med spänningen på en separat jordstav. Se till att den separata jordstaven är på minst 10 m avstånd från något annat jordningssystem, inklusive aggregatets huvudjordningssystem.

Lokalisera jordstaven i motsatt riktning jämfört med utgångsledningen. Slå ner en 2 m jordningsstav i marken. Använd isolerade högspänningskablar under marken och en jordningsklämma för att förbinda jordningsstaven och aggregatets jordningsuttag.

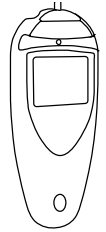


### Tolka indikatorn för jordningsstatus



Om jordningsstatusindikatorn är på, följ råden om hur man installerar och underhåller ett effektivt jordningssystem, dessa finns på webbsidan (se aggregatets förpackning för detaljerad information).

# Använda fjärrkontroll för stängslet med felsökare (fjärrkontrollen)



En fjärrkontroll för stängslet med felsökare (fjärrkontroll) finns tillgänglig som tillval. Detta tillåter dig att fjärrkontrollera aggregatet. Aggregatet och fjärrkontrollen måste programmeras för att fungera tillsammans.

## Programmera aggregatet och fjärrkontrollen

Aggregatet och fjärrkontrollen måste ställas in med samma "adressinställning" för att de ska kunna kommunicera med varandra. Följande steg måste genomföras:

- 1 Koppla bort aggregatet från eluttaget och vänta i 5 minuter innan det återansluts ELLER håll magnetnyckeln mot magnetsensorn i 1 sekund.
- 2 Gå till fjärrkontrollens inställningsmeny och välj en adressinställning.
- 3 Överför adressen till aggregatet.
- 4 Testa för att kontrollera att aggregatet lyder kommandon från fjärrkontrollen.

Fullständiga instruktioner finns i bruksanvisningen som följde med fjärrkontrollen.

---

*OBS:* Alla bruksanvisningar finns tillgängliga på webbsidan (aggregatets förpackning för detaljerad information).

---

## Identifiera aggregatets adressinställning

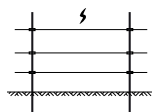
Under en felsökning kan det bli nödvändigt att identifiera aggregatets adressinställning. För att kunna se aggregatets adressinställningar, koppla bort aggregatet från eluttaget och vänta i 5 minuter innan det återansluts ELLER **håll** magnetnyckeln mot magnetsensorn i 1 sekund. Adressen visas i 5 sekunder. Notera vilka LED-lampor som tänds.

Om alla LED-lampor tänds i sekvens fram och tillbaka innebär det att aggregatet har ställts in på adress noll (0) och har inte konfigurerats för användning med fjärrkontrollen.

För en fullständig lista över tillgängliga adressinställningar, se bruksanvisningen för fjärrkontrollen.

# Felsökning

## Problem med stängslet



*Stängselspänningen ligger under 4 kV (den spänning som behövs för att kontrollera djur).*

### Stängslet defekt?

- 1 Kontrollera stängslet med en felsökare eller stängslets fjärrkontroll med felsökare. Dessa har en kombinerad spännings- och strömmätare som gör att du snabbt kan hitta orsaken till strömläckan. Alternativt kan du använda en digital voltmätare.
- 2 Använd frånslagsbrytare för att stänga av strömmen till olika delar av stängslet. Om spänningen på stängslet stiger när en del av stängslet stängs av, ska den delen undersökas beträffande eventuella fel.
- 3 Korrigera fel på lämpligt sätt.

### Jordningssystemet defekt?

- 1 Ställ in jordövervakningsfunktionen och testa jordningssystemet (se sidan 73).
- 2 Om jordningssystemet är defekt, besök webbsidan (se aggregatets förpackning för detaljerad information) för råd om hur man installerar och underhåller ett effektivt jordningssystem.

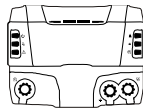
### Aggregatet defekt?

- 1 Kontrollera att aggregatet är på.
- 2 Koppla ur stängselledningen från aggregatets stängselutgångsuttag.
- 3 Mät spänningen tvärs över aggregatets uttag med en felsökare, digital voltmätare eller en fjärrkontroll.  
Om aggregatets spänning är mindre än 6 kV kan det bli nödvändigt att serva aggregatet.

### Stängslets utformning (nyligen utbyggnader av stängslet, dålig stängsellayout, jordförhållanden)?

Om stängslet, jordningssystemet och aggregatet är OK, kontakta återförsäljaren för hjälp.

# Problem med aggregatet



*Inga lampor lyser på aggregatet.*



## Strömförsörjning eller aggregat defekt?

- 1 Kontrollera strömförsörjnings-LED:n. Om den är grön, kontrollera att strömförsörjningen sitter fast ordentligt i aggregatet och att nätförsörjningen är på. Om den är röd är strömförsörjningen defekt och måste lämnas tillbaka.
- 2 Om aggregatet fortfarande inte fungerar kan det behöva servas.

*Indikatorn för stark belastning är på.*



Kan en gren ha fallit ner på stängslet eller något annat har fastnat i det?

Koppla bort aggregatet från nätförsörjningen och kontrollera sedan stängslet.

Kan det ha uppstått kortslutning på stängslet eller på utgångsledningen som förbinder aggregatet till stängslet?

Kontrollera om det förekommer kortslutning genom att använda felsökaren eller ta hjälp av fjärrkontrollen för stängslet med felsökaren. Korrigera fel på lämpligt sätt.

*Indikatorn för svag belastning är på.*



Kan gräs eller undervegetation ha kontakt med stängslet?

Kontrollera stängslet och avlägsna allt material som kommer i kontakt med stängslet.

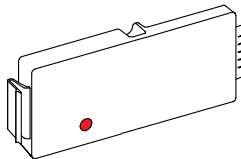
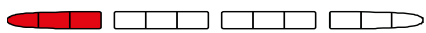

*Indikatorn för jordningsstatus är på.*



Kan jordningssystemet vara defekt?

Besök webbsidan (se aggregatets förpackning för detaljerad information) för råd om hur man installerar och underhåller ett effektivt jordningssystem.



Felkod	Möjlig orsak	Möjlig lösning
<p>Felindikatorn är på och en röd LED tänds på strömförsörjningen.</p> 	<p>Felaktig strömförsörjning.</p>	<p>Strömförsörjningen måste bytas ut mot en annan strömförsörjning. Lämna tillbaka strömförsörjningen till din distributör.</p>
<p>Felindikatorn är på och de röda LED-lamporna är tända. Andra LED-lampor tänds också (representerar en felkod).</p> 	<p>Aggregatfelfunktion. Aggregatet har ett fel som kan påverka dess funktion.</p>	<p>Ta ett foto på felkoden som visas och kontakta din distributör.</p>
<p>Felindikatorn är på och de orangefärgade LED-lamporna är tända.</p> 	<p>Aggregatet är överhettat.</p>	<p>Kontrollera att aggregatet har monterats på en sval, välventilerad plats. Om felkoden är kvar, kontakta din distributör.</p>



Aggregatet har detekterat en plötslig ökning i belastningen av stängslet.

Detta kan hända:

- om en strömbrytare är stängd som ansluter ett starkt belastat avsnitt till aggregatet.
- om en gren faller ner på stängslet.
- om stängslet eller utgångskabeln som förbinder aggregatet till det utsätts för en plötslig kortslutning till jordningen.
- om något fastnar i stängslet.

Stäng av aggregatet, hitta och åtgärda felet och sätt sedan på aggregatet igen.

*Aggregatet växlar oväntat över till beredskapsläget.*

Kan en grannes fjärrkontroll påverka ditt aggregat?

Byt adressinställning på ditt aggregat med fjärrkontrollen (se bruksanvisningen för fjärrkontrollen).

## Service

Detta aggregat innehåller inga delar som användaren kan underhålla. Det måste lämnas in till en servicerepresentant som godkänts av Datamars Limited för reparation. Nätförsörjningssladden får inte bytas ut. Om sladden skadas ska nätförsörjningen tas ur bruk.

# Garanti

Denna produkt är garanterad gentemot felaktigt material och utförande i en period från inköpsdatumet. Om en defekt uppstår under garantin, returnera denna produkt med inköpsbevis till inköpsstället. Detaljer angående garantiperioder och andra villkor finns att tillgå vid inköpsstället eller på [www.datamars.com](http://www.datamars.com)

---

## *OBS:*

- Inget ansvar tas för olycka eller skada som uppstår efter modifiering eller felanvändning av denna produkt, inkluderat (men inte begränsat till) ändringar gjorda av någon annan än Datamars eller dess representanter.
- Till den mån lagen tillåter det är denna garanti exklusiv och gäller endast dig och i stället för andra garantier, påpekanden eller villkor relaterade till denna produkt (vare sig uttryckt eller underförstådd och närhelst så uppstår) vare sig härrörande från stadga, lag, handel, tull eller på annat vis.
- Produktgarantin gäller endast i det land där produkten köptes. Anspråk som görs i ett annat land kan leda till att ägaren måste stå för reparationskostnaderna i sin helhet.

---

## Produktspecifikationer

Strömförsörjning	Använd endast 220-240 V nätförsörjning
Strömförbrukning	25 W
Maximal utgångsspänning	10,3 kV @ 450 $\Omega$
Maximal utgångsenergi	14,2 J vid 50 $\Omega$
Maximal lagrad energi	21 J

Värdena är normala och normala produktionstoleranser på  $\pm 5\%$  tillåts.

# Veiligheidsinformatie

*Opmerking:* Dit product is ontworpen voor gebruik met elektrische weide-afrasteringen.

## Algemene waarschuwingen

### *PAS OP!*

- Dit elektro-afrasteringsapparaat is niet bedoeld voor gebruik door personen (ook kinderen) met verminderde lichamelijke, sensorische of geestelijke vermogens dan wel gebrek aan ervaring en kennis, tenzij zij onder toezicht staan van een persoon die voor hun veiligheid verantwoordelijk is dan wel van wie zij instructies over het gebruik van het elektro-afrasteringsapparaat hebben gekregen.
- Op kinderen dient toezicht te worden gehouden om te voorkomen dat zij met het elektro-afrasteringsapparaat gaan spelen. Schoonmaak- en onderhoudswerkzaamheden mogen alleen door kinderen worden uitgevoerd indien hier toezicht op wordt gehouden.
- Koppel de verbindingen tussen het elektro-afrasteringsapparaat en de afrastering los voordat u het apparaat installeert of voordat u werkzaamheden aan de afrastering uitvoert.
- Risico van elektrische schok! Dit elektro-afrasteringsapparaat mag alleen door gekwalificeerd personeel worden geopend of gerepareerd.

## Waarschuwingen betreffende specifiek dit elektro-afrasteringsapparaat

### *PAS OP!*

- *Europa* - Als de temperatuur lager is dan 5 °C, dient het elektro-afrasteringsapparaat in een berging te worden gemonteerd en mogen er geen werkzaamheden aan worden verricht.
- De stroomdraad kan niet worden vervangen. Als de stroomdraad is beschadigd, dient deze te worden verwijderd en afgevoerd.
- Dit elektro-afrasteringsapparaat dient stevig te worden gemonteerd met vier schroeven die geschikt zijn voor het montageoppervlak.

# Verklaring van de symbolen op het elektro-afrosteringsapparaat



Lees de handleiding voor het gebruik in zijn geheel door.



Dit symbool op het product of de verpakking betekent dat het product niet samen met ander afval mag worden afgevoerd. U bent er verantwoordelijk voor dat uw afgedankte apparatuur wordt verwijderd door deze bij een daarvoor bestemd verzamelpunt voor de verwerking van afgedankte elektrische en elektronische apparatuur aan te bieden. Door uw afgedankte apparatuur bij verwijdering afzonderlijk in te zamelen en te laten verwerken, helpt u de natuurlijke grondstoffen te bewaren en zorgt u ervoor dat de gezondheid van mens en milieu door de verwerking wordt gespaard. Voor meer informatie over de punten waar u uw afgedankte apparatuur voor verwerking kunt aanbieden, kunt u contact opnemen met het afvalbrengstation in uw plaats of met de zaak waar u het product heeft gekocht.



Het elektro-afrosteringsapparaat is dubbel geïsoleerd.



Elektro-afrosteringsapparaten met dit symbool zijn elektro-afrosteringsapparaten met tijdsvertraging, waarbij de vertragingstijd 20 seconden bedraagt.



Dit apparaat beschikt alleen voor functionele doeleinden over een aardeverbinding.

## Definitie van gebruikte vakuitdrukkingen

*Elektro-afrasteringsapparaat* – Een apparaat dat is bedoeld om met tussenpozen stroomimpulsen te geven aan een eraan gekoppelde afrastering.

*Afrastering* – Een barrière die om dieren in/uit te sluiten of uit veiligheidsoverwegingen wordt ingezet, bestaande uit een of meer geleiders zoals draden, pennen of rails van metaal.

*Elektrische afrastering* – Een barrière bestaande uit een of meer geleiders die zijn geïsoleerd van de aarde, en die stroomimpulsen krijgt van een elektro-afrasteringsapparaat.

*Afrasteringscircuit* – Alle geleidende delen of componenten binnen een elektro-afrasteringsapparaat die zijn of kunnen worden aangesloten (galvanisch) op de afrasteringsaansluitingen.

*Aarde-elektrode* – Metalen constructie die in de buurt van een elektro-afrasteringsapparaat in de grond wordt geplaatst en elektrisch met de aarde-aansluiting van het elektro-afrasteringsapparaat wordt verbonden, maar wel afhankelijk werkt van andere aarde-apparatuur.

*Aansluitdraad* – Een elektrische geleider die wordt gebruikt om het elektro-afrasteringsapparaat aan te sluiten op de elektrische afrastering of de aarde-elektrode.

*Elektrische weide-afrastering* – Een elektrische afrastering die wordt gebruikt om dieren binnen of buiten een bepaald gebied te houden.

# Vereisten voor elektrische weide-afrasteringen

In overeenstemming met bijlage BB, deel BB.1 van EN 60335-2-76

Elektrische weide-afrasteringen en de bijbehorende apparatuur moeten zodanig worden geïnstalleerd, bediend en onderhouden dat het gevaar voor mensen, dieren en hun omgeving zoveel mogelijk wordt verminderd.

Elektro-afrasteringsconstructies waarbij het gevaar groot is dat mensen of dieren erin vastraken, dienen te worden vermeden.

*Installateurs/gebruikers dienen met het volgende rekening te houden:*

**WAARSCHUWING!** Raak elektrische afrasteringsdraden vooral niet met het hoofd, de nek of de romp aan. Klim niet over een meerdraads elektrische afrastering heen, niet erdoorheen en niet eronderdoor. Gebruik een poort of een speciaal ontworpen overgang.

Een elektrische weide-afrastering mag niet op twee of meer afzonderlijke elektro-afrasteringsapparaten of op onafhankelijke afrasteringscircuits van hetzelfde elektro-afrasteringsapparaat worden aangesloten.

De afstand tussen de draden van twee elektrische weide-afrasteringen die door gescheiden elektro-afrasteringsapparaten met onafhankelijke impulsen worden gevoed, moet minstens 2,5 m bedragen. Als deze opening moet worden gesloten, dienen hiervoor elektrisch niet-geleidende materialen of een geïsoleerde metalen afscheiding te worden gebruikt.

Prikkeldraad of scheermesdraad mag niet op een elektro-afrasteringsapparaat worden aangesloten.

De stroomvoerende draad of draden van een elektrische weide-afrastering kunnen met een niet-stroomvoerende afrastering met prikkeldraad of scheermesdraad worden aangevuld. De steuninrichtingen van de stroomvoerende draden dienen zo te worden geconstrueerd dat tussen de stroomvoerende draden en het verticale vlak van de niet-

stroomvoerende draden een minimum afstand van 150 mm is gegarandeerd. Het prikkeldraad en scheermesdraad dienen op regelmatige afstanden te worden geaard.

Volg onze adviezen over het aarden op.

Tussen de aardingselektrode van het elektro-afasteringsapparaat en mogelijke andere componenten die op een aardingsysteem zijn aangesloten, zoals bijvoorbeeld de randaarding van de stroomvoorziening of de aarding van het telecommunicatiesysteem, dient een minimum afstand van 10 m te worden aangehouden.

Aansluitdraden die in gebouwen lopen, dienen effectief van de geaarde constructie-elementen van het gebouw te zijn geïsoleerd. Dit kan door middel van geïsoleerde hoogspanningskabel bereikt worden.

Aansluitdraden die ondergronds verlopen, dienen óf in een isolatiebuis van isolerend materiaal te liggen óf er dient geïsoleerde hoogspanningskabel te worden gebruikt. Er dient grote omzichtigheid te worden betracht om schade aan de aansluitdraden door dierenhoeven of in de grond zakkende tractorwielen e.d. te voorkomen.

Aansluitdraden mogen niet in dezelfde buis als de bedrading voor de netvoeding, communicatiekabels of datakabels verlopen.

Aansluitdraden en elektrische weide-afasteringsdraden mogen niet over bovengrondse stroomdraden of communicatiekabels verlopen.

Kruisingen met bovengrondse stroomleidingen dienen zoveel mogelijk te worden vermeden. Als een kruising niet te voorkomen is, dient deze onder de stroomleiding te worden gelegd en daarmee zoveel mogelijk een rechte hoek te vormen.

Als aansluitdraden en draden van elektrische weide-afasteringen dicht bij een bovengrondse stroomleiding worden geïnstalleerd, dient de afstand tot deze niet minder te bedragen dan hetgeen in de onderstaande tabel te zien is.

## *Minimum afstanden van stroomleidingen voor elektrische weide-afrasteringen*

<u>Spanning stroomleiding</u>	<u>Afstand</u>
≤1000 V	3 m
>1000 V tot ≤33.000 V	4 m
>33.000 V	8 m

Als aansluitdraden en draden van elektrische weide-afrasteringen nabij een bovengrondse stroomleiding worden geïnstalleerd, mogen deze niet meer dan 3 m boven de grond zijn aangebracht. Deze hoogte heeft betrekking op beide zijden van de orthogonale projectie van de buitenste geleiders van de stroomleiding op het grondoppervlak, voor een afstand van:

- 2 m voor stroomleidingen met een nomimaal voltage van niet meer dan 1000 V.
- 15 m voor stroomleidingen met een nomimaal voltage van meer dan 1000 V.

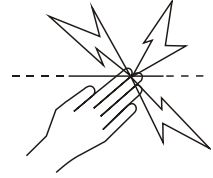
Elektrische weide-afrasteringen die bedoeld zijn om vogels af te schrikken, te voorkomen dat huisdieren ontsnappen of om dieren, zoals koeien, te gewennen, hoeven slechts door toestellen met laag vermogen te worden gevoed om veilig en betrouwbaar te werken.

Bij elektrische afrasteringen die moeten voorkomen dat vogels op gebouwen gaan nestelen, mag geen elektrische afrasteringsdraad met de aarde-elektrode van het toestel worden verbonden. Een waarschuwingsbord dient aan elk punt te worden bevestigd waar personen gemakkelijk bij de geleiders kunnen komen.

Op plaatsen waar een elektrische dierenafrastering een openbaar pad kruist, dient op dit kruispunt een niet-geëlektrificeerde poort in de elektrische afrastering te worden aangebracht of een kruising door middel van tourniquets te worden voorzien. Op alle kruispunten dienen op de aangrenzende geëlektrificeerde draden waarschuwingsborden te zijn bevestigd.

Alle gedeelten van een elektrische weide-afrastering die langs een openbare weg of pad verlopen, dienen op korte afstanden van waarschuwingsborden te worden voorzien die stevig aan de afrasteringspalen of op de draden zijn gemonteerd.




- De afmeting van de waarschuwingsborden dient minstens 100 x 200 mm te bedragen.
- De achtergrondkleur van beide zijden van het waarschuwingsbord moet geel zijn. Het opschrift op het bord dient zwart te zijn en met de volgende afbeelding overeen te komen:  
of een tekst met de betekenis "PAS OP: SCHRIKDRAAD"  
te bevatten.
- Het opschrift dient niet-uitwisbaar te zijn, aan beide zijden van het waarschuwingsbord te zijn aangebracht en een hoogte van minstens 25 mm te hebben.



Draag er zorg voor dat alle bijbehorende apparaten die met netvoeding werken en op het circuit van de elektrische weide-afrastering worden aangesloten, tussen het afrasteringscircuit en de netvoeding even goed geïsoleerd zijn als het elektro-afrasteringsapparaat zelf.

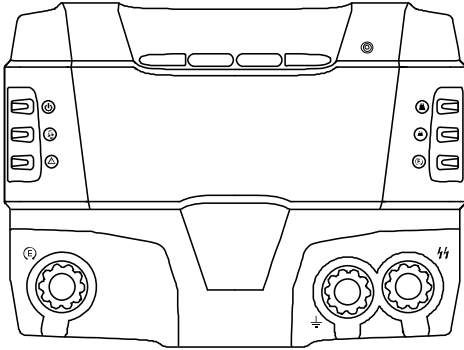
Bijbehorende apparaten dienen tegen weersinvloeden te worden beschermd, tenzij door de fabrikant uitdrukkelijk is aangegeven dat deze voor gebruik in de openlucht bestemd zijn en een beveiliging van minstens IPX4 hebben.

# Index Veelgestelde vragen

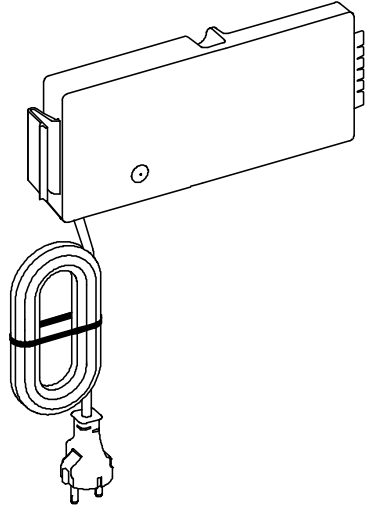
Hoe sluit ik het elektro-afrasteringsapparaat aan op de afrastering?	Blz. 92
Waar vindt ik informatie over het plaatsen van een elektrische afrastering?	Blz. 95
Waar is de magneetsleutel voor?	Blz. 97
Waar kan ik de uitgangsspanning van het elektro-afrasteringsapparaat aflezen?	Blz. 98
Het elektro-afrasteringsapparaat laat een alarm klinken. Wat nu?	Blz. 99
Er brandt een signaallampje van de afrastering:  of  . Wat nu?	Blz. 100
Hoe stel ik de functie aardingscontrole in?	Blz. 101
Hoe kan ik mijn afstandbediening instellen voor gebruik met het elektro-afrasteringsapparaat?	Blz. 102
Er is iets mis met de afrastering, het elektro-afrasteringsapparaat of de afstandsbediening	Blz. 104
Het defectensignaallampje  brandt. Wat nu?	Blz. 105

# 1 Haal de onderdelen uit de verpakking

Controleer of deze items compleet zijn. Neem als er iets ontbreekt contact op met uw leverancier.



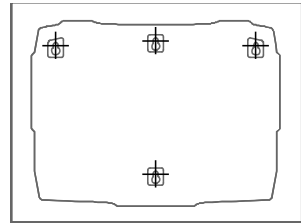
Elektro-afrasteringsapparaat



Netstroomvoorziening



Magneetsleutel

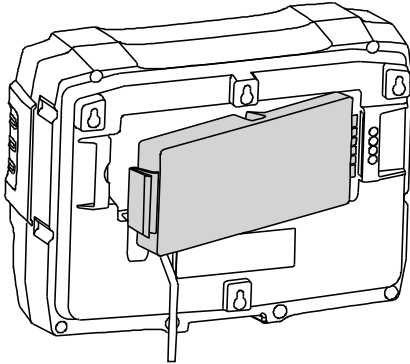


Bevestigingsplaat

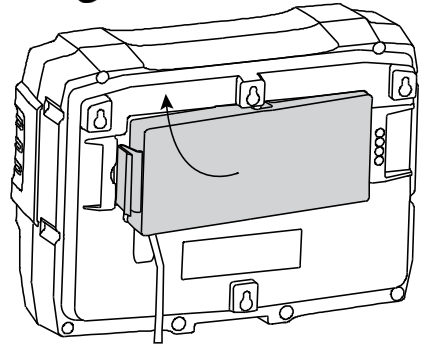
## 2 Controleer of de voeding is aangesloten

**VOORZICHTIG!** De voeding moet goed aan het elektro-afrasteringsapparaat zijn bevestigd **voordat** u de netstroomvoorziening inschakelt.

1.



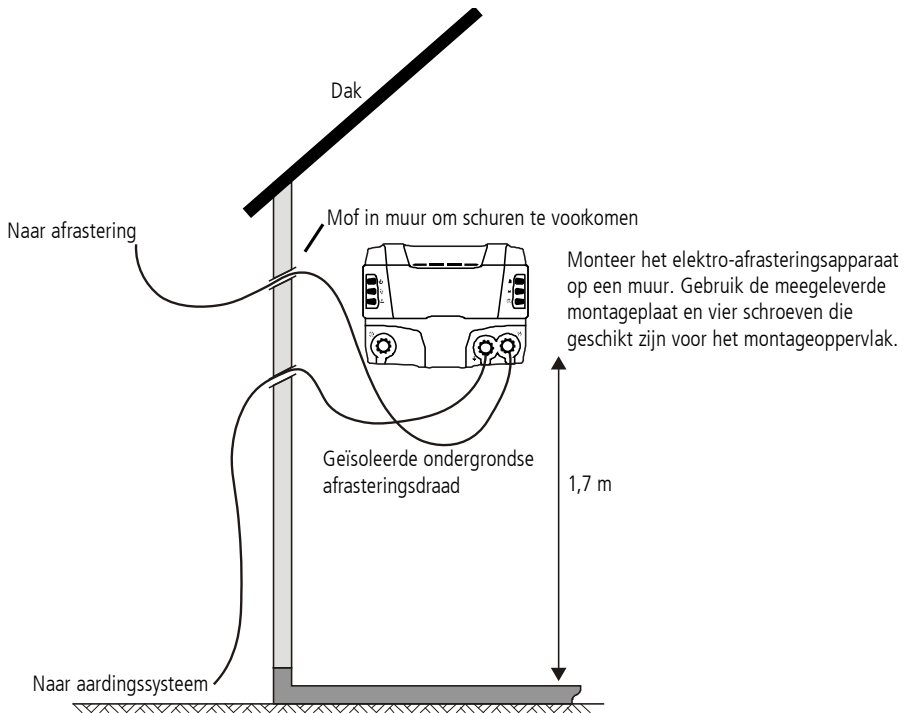
2.  Klik!



**PAS OP!** Gebruik alleen de met dit elektro-afrasteringsapparaat meegeleverde voeding of een origineel vervangingsonderdeel.

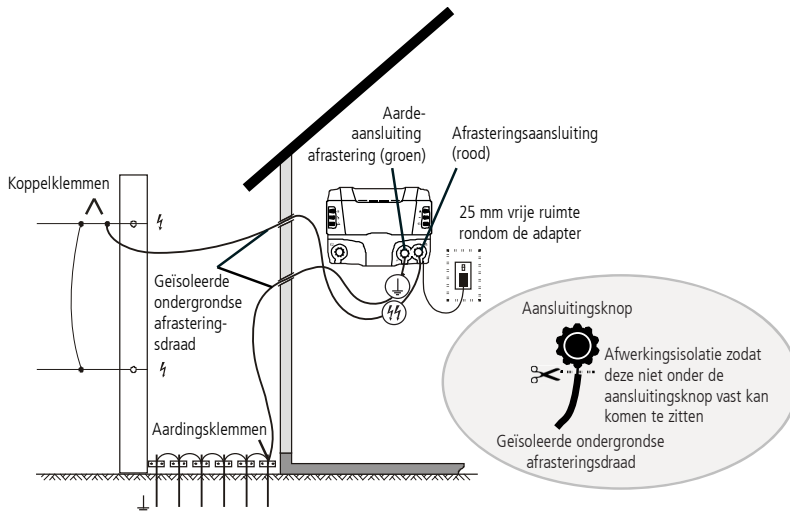
### 3 Kies een geschikte locatie om het elektro-afasteringsapparaat te installeren en monteren

Meer informatie over het bepalen van een passende locatie voor de installatie vindt u op blz. 94.



## 4 Sluit het elektro-afasteringsapparaat aan op de afrastering, het aardingsysteem en de stroomvoeding

Meer informatie over het plaatsen van een elektrische afrastering en een aardingsysteem vindt u op de website (zie de verpakking van het elektro-afasteringsapparaat voor meer informatie).



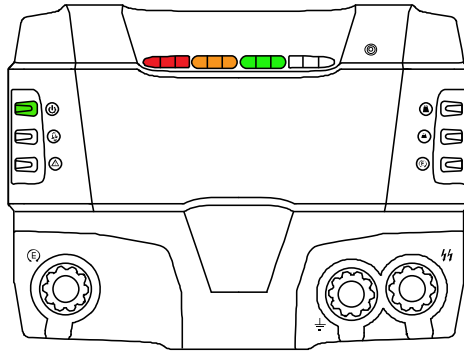
Aardingsstelsel bestaat uit ten minste 6 aardpennen van elk 2 m lang.

*Opmerking:* Het aardingsstelsel van het elektro-afasteringsapparaat moet minstens 10 m van andere aardingsstelsels zijn verwijderd.

**PAS OP!** Gebruik geen verlengsnoer voor netstroomvoorziening.

## 5 Schakel de netstroomvoorziening in; de uitgangsspanning wordt weergegeven door middel van de uitgangsspanninglampjes

Meer informatie vindt u op blz. 98.



# Meer informatie over installatie

## Een locatie voor de installatie kiezen

Lees alle veiligheidsinstructies in deze handleiding en alle relevante veiligheidsstandaarden van de nationale overheid alsmede de regionale en plaatselijke overheden voordat u het elektro-afrasteringsapparaat monteert.

Controleer of op de locatie voor de installatie:

- een goede aarding mogelijk is. Tips en informatie over het plaatsen van een goed aardingssysteem vindt u op de website (zie de verpakking van het elektro-afrasteringsapparaat voor meer informatie);
- het aardingssysteem minstens 10 m van andere aardingssystemen (zoals bijv. telefoon- en stroomleidingen of aardingssystemen van een ander elektro-afrasteringsapparaat) verwijderd is;
- kinderen en dieren niet bij de installatie kunnen komen.

Het elektro-afrasteringsapparaat dient:

- binnen of onder een afdak te worden geïnstalleerd;
- direct bij de elektrische afrastering te staan;
- bij voorkeur in het midden van het elektro-afrasteringssysteem te staan;
- dicht bij een netvoedingsaansluiting te staan.

### *PAS OP!*

- Controleer of uw installatie voldoet aan alle plaatselijke veiligheidsvoorschriften.
- *Europa* - Als de temperatuur lager is dan 5 °C, dient het elektro-afrasteringsapparaat in een berging te worden gemonteerd en mogen er geen werkzaamheden aan worden verricht.

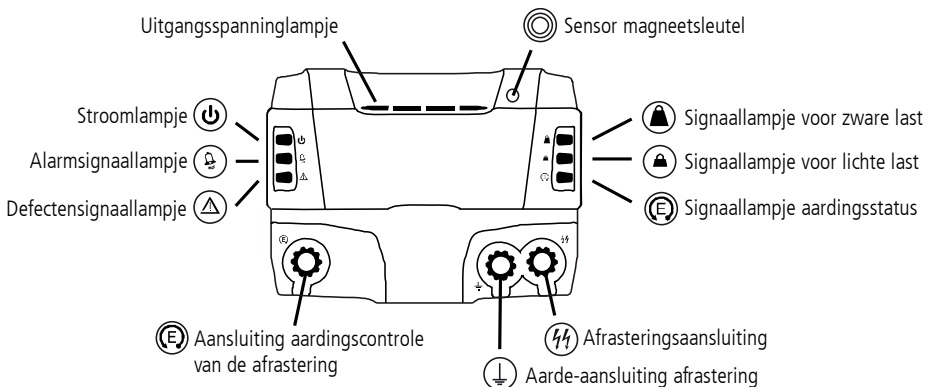
# Een elektrische afrastering en een aardingsstelsel plaatsen

Meer informatie over het plaatsen van een elektrische afrastering en een aardingsstelsel vindt u op de website (zie de verpakking van het elektro-afrasteringsapparaat voor meer informatie).

*Opmerking:* We raden u aan voor de installatie van dit elektro-afrasteringsapparaat voor het aardingsstelsel ten minste **6** aardpijlen van 2 m te gebruiken.

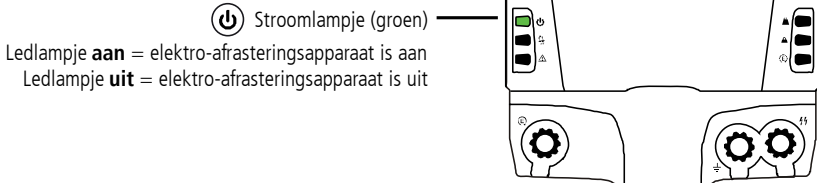
## Gebruik van het elektro-afrasteringsapparaat

### Onderdelen van het elektro-afrasteringsapparaat



# Het elektro-afasteringsapparaat inschakelen

Het elektro-afasteringsapparaat staat aan zodra de stekker hiervan in het stopcontact is geplaatst.




# Het elektro-afasteringsapparaat uitschakelen

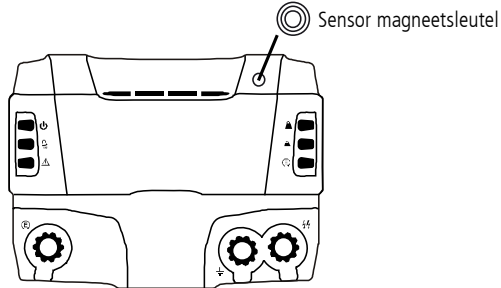
*PAS OP!* Het elektro-afasteringsapparaat is zo geconcipeerd dat het na een onderbreking van de stroomvoorziening automatisch weer inschakelt. Deze automatische reactivering vindt zelfs plaats als het apparaat vóór de stroomuitval in standby-modus stond. De afastering moet altijd als stroomvoerend worden beschouwd, ongeacht of het elektro-afasteringsapparaat in standby-modus staat of niet. Daarom wordt voor werk aan een afasteringsgedeelte dringend geadviseerd het betreffende gedeelte met een aan-uitschakelaar veilig te isoleren of de netstroomvoorziening van het elektro-afasteringsapparaat te onderbreken.

Om werkzaamheden aan een deel van de afastering uit te voeren, dient u het elektro-afasteringsapparaat volledig uit te schakelen.

Dit doet u door de stekker ervan uit het stopcontact te halen.

## De magneetsleutel gebruiken

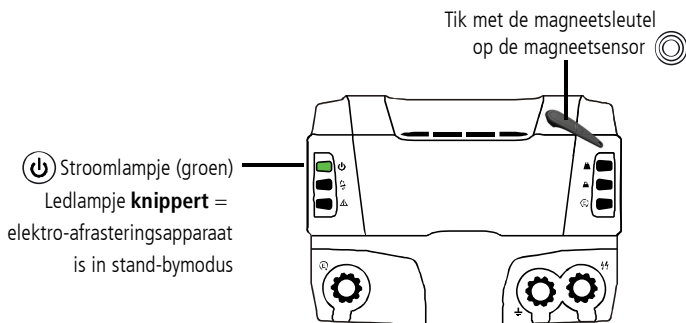
Met de magneetsleutel kunt u het elektro-afasteringsapparaat in stand-bymodus zetten en vanuit de stand-bymodus weer inschakelen. Houd hiervoor de magneetsleutel tegen de magneetsensor (gemarkeerd op de behuizing van het elektro-afasteringsapparaat) . De magneetsensor vindt u hier:



## Het elektro-afasteringsapparaat in de stand-bymodus zetten

We raden aan om het elektro-afasteringsapparaat niet uit te schakelen door de stekker uit het stopcontact te halen, maar om het elektro-afasteringsapparaat met de magneetsleutel in stand-bymodus te zetten. In de stand-bymodus is het elektro-afasteringsapparaat ingeschakeld, maar is er bij de afasteringsaansluiting van de afastering geen sprake van uitgangsspanning.

U kunt het elektro-afasteringsapparaat met de magneetsleutel op stand-bymodus zetten:



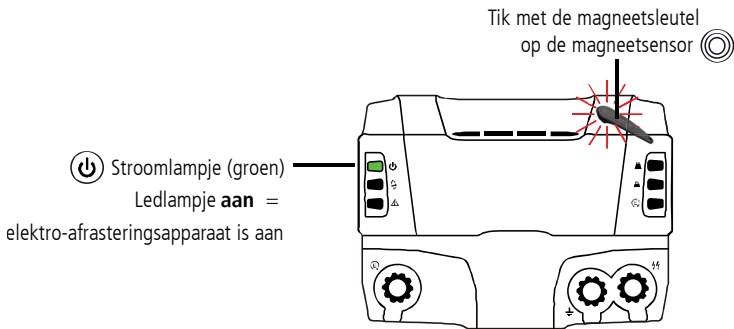
---

*Opmerking:* U kunt het elektro-afrasteringsapparaat ook met de afstandsbediening in stand-bymodus zetten. Instructies hiervoor vindt u in de handleiding van de afstandsbediening. Alle handleidingen zijn te vinden op de website (zie de verpakking van het elektro-afrasteringsapparaat voor meer informatie).

---

## Het elektro-afrasteringsapparaat inschakelen vanuit de stand-bymodus

Het elektro-afrasteringsapparaat met de magneetsleutel inschakelen vanuit de stand-bymodus:



---

*Opmerking:* U kunt het elektro-afrasteringsapparaat ook met de afstandsbediening vanuit stand-bymodus inschakelen. Instructies hiervoor vindt u in de handleiding van de afstandsbediening. Alle handleidingen zijn te vinden op de website (zie de verpakking van het elektro-afrasteringsapparaat voor meer informatie).

---

## De uitgangsspanning aflezen

De uitgangsspanningslampjes geven de uitgangsspanning van het elektro-afrasteringsapparaat weer. Elk lampje staat voor 1 kV.



# De prestaties van een elektrische afrastering controleren

Met de volgende functies kunt u de prestaties van de elektrische afrastering controleren.

## Reageren op een alarm

Als het elektro-afrasteringsapparaat een plotselinge toename van de belasting op de afrastering constateert, gaat het alarmlampje  branden, wordt de stroomimpulsfrequentie lager en gaat er tot 10 minuten lang een waarschuwingszoemer af.

Dit kan gebeuren:

- als er een automatische zekering sluit, waardoor een zwaar belast gedeelte van de afrastering op het elektro-afrasteringsapparaat wordt aangesloten;
- als er een tak op de afrastering ligt;
- als er bij de afrastering of uitvoerkabel die het elektro-afrasteringsapparaat daarmee verbindt, een plotselinge kortsluiting met de aarde plaatsvindt;
- als er een dier of mens in de afrastering verstrikt raakt.

20 seconden na een zware belasting van de afrastering voert het elektro-afrasteringsapparaat het uitgangsvermogen op om de afrastering effectiever van stroom te voorzien.

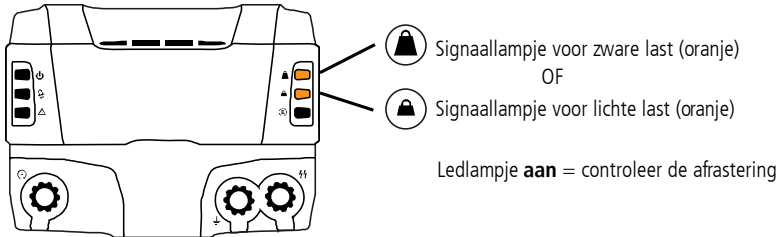
Als er een waarschuwingsalarm afgaat, koppel het elektro-afrasteringsapparaat dan af van de netstroomvoorziening, spoor de fout op en verhelp deze, waarna u het elektro-afrasteringsapparaat weer kunt inschakelen.

---

*Opmerking:* Als iemand de elektrische afrastering aanraakt, treedt er 20 seconden vertraging op voordat de volledige energie van het elektro-afrasteringsapparaat wordt geleverd. Daardoor krijgt de persoon de gelegenheid zich van de afrastering te verwijderen.

# De signaallampjes van de afrastering aflezen

De signaallampjes van de afrastering laten u weten wanneer er iets mis is met de afrastering.



Brandt het signaallampje voor zware last? Koppel het elektro-afrasteringsapparaat dan los van de netstroomvoeding en controleer of er een tak op de afrastering is gevallen of er iets anders in de afrastering verstrikt is geraakt. Controleer of er sprake is van kortsluiting in de afrastering of de uitvoerdraad waarmee het elektro-afrasteringsapparaat aan de afrastering is gekoppeld. Gebruik hiervoor een fault finder (defectdetector) of een afrasterings-afstandsbediening met fault finder.

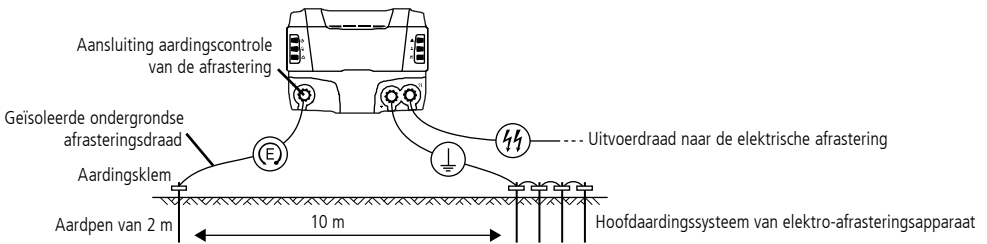
Als het signaallampje voor lichte last brandt, controleer dan of er sprake is van gras dat of begroeiing die de afrastering raakt.

# Aardecontrole (optioneel)

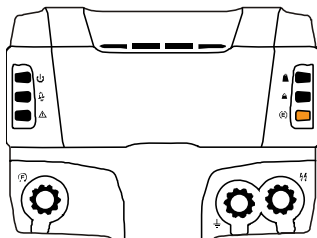
De kwaliteit van de aarding is van invloed op de afrasteringsspanning. Met de functie voor aardecontrole kunt u de werking van het aardingssysteem continu in de gaten houden en zo uw elektrische afrastering optimaal laten functioneren.

De functie voor aardecontrole vergelijkt de spanning van het hoofdaardingssysteem van het elektro-afrasteringssysteem met de spanning van elke individuele aardpen. Zorg ervoor dat de aardpenen ten minste 10 m van enig ander aardingssysteem staan (dus ook van het hoofdaardingssysteem van het elektro-afrasteringsapparaat).

Plaats de aardpen in tegenovergestelde richting van de uitvoerdraad. Sla een 2 m lange aardpen in de grond. Gebruik geïsoleerde hoogspanningskabel en een aardingsklem om de aardpen en de aansluiting aardingscontrole van de afrastering met elkaar te verbinden.



## Het signaallampje van de aardingsstatus aflezen

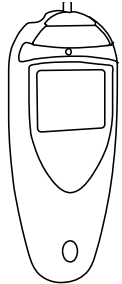


ⓔ Signaallampje aardingsstatus (oranje)  
Ledlampje **aan** = controleer het aardingssysteem

Brandt het signaallampje van de aardingsstatus? Volg dan het advies betreffende het installeren en behouden van een effectief aardingssysteem op; dit is te vinden op de website (zie de verpakking van het elektro-afrasteringsapparaat voor meer informatie).

# De afrasterings-afstandsbediening met fault finder (de afstandsbediening) gebruiken

De afrasterings-afstandsbediening met fault finder (afstandsbediening) kan als optioneel accessoire worden aangeschaft. Hiermee kunt u het elektro-afrasteringssysteem op afstand besturen. Het elektro-afrasteringssysteem en de afstandsbediening moeten worden geprogrammeerd voordat deze samen kunnen worden gebruikt.



## Het elektro-afrasteringssysteem en de afstandsbediening programmeren

U dient het elektro-afrasteringssysteem en de afstandsbediening in te stellen met dezelfde 'adresinstelling' om ze met elkaar te laten communiceren. Hiervoor moet u het volgende doen:

- 1 Koppel het elektro-afrasteringssysteem los van de netstroomvoorziening en wacht 5 minuten voordat u deze weer aansluit OF houd de magneetsleutel gedurende 1 seconde voor de magneetsensor.
- 2 Open het instellingsmenu van de afstandsbediening en selecteer een adresinstelling.
- 3 Verzend het adres naar het elektro-afrasteringssysteem.
- 4 Test of het elektro-afrasteringssysteem de bevelen van de afstandsbediening opvolgt.

Volledige instructies vindt u in de gebruikershandleiding, welke is meegeleverd met de afstandbediening.

---

*Opmerking:* Alle handleidingen zijn te vinden op de website (zie de verpakking van het elektro-afrasteringsapparaat voor meer informatie).

---

## De adresinstelling van het elektro-afrasteringsapparaat bepalen

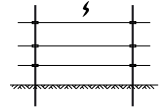
Mogelijk moet u de adresinstelling van het elektro-afrasteringsapparaat tijdens het oplossen van problemen vaststellen. U kunt de adresinstellingen van het elektro-afrasteringsapparaat achterhalen door het elektro-afrasteringssysteem los te koppelen van de netstroomvoorziening. Wacht dan 5 minuten voordat u deze weer aansluit OF **houd** de magneetsleutel gedurende 1 seconde voor de magneetsensor. Het adres wordt gedurende 5 minuten weergegeven. Noteer welke ledlampjes gaan branden.

Als alle ledlampjes na elkaar van links naar rechts (of van rechts naar links) en weer terug gaan branden, betekent dit dat het adres van het elektro-afrasteringssysteem is ingesteld op nul (0) en dat deze niet is geconfigureerd voor gebruik met de afstandsbediening.

Raadpleeg de gebruikershandleiding van de afstandsbediening voor een volledig overzicht van beschikbare adressen.

# Problemen oplossen

## Problemen met de afrastering



*De spanning van de afrastering is lager dan 4 kV (de spanning vereist voor het hoeden van dieren).*

### Is de afrastering defect?

- 1 Controleer de afrastering met een fault finder of een afrasteringsafstandsbediening met fault finder. Deze zijn voorzien van een gecombineerde spannings- en stroommeter, zodat u snel plaatselijke lekkages kunt opsporen. U kunt ook een digitale voltmeter gebruiken.
- 2 Gebruik aan-uitschakelaars om de stroomvoorziening van verschillende delen van de afrastering te onderbreken. Als de afrasteringsspanning stijgt wanneer een afrasteringsgedeelte is uitgeschakeld, zoek dan in dat gedeelte naar mogelijke defecten/storingen.
- 3 Verhelp storing(en) indien nodig.

### Is er een storing in het aardingsstelsel?

- 1 Schakel de functie voor aardecontrole in en test het aardingsstelsel (zie blz. 101).
- 2 Ga als het aardingsstelsel een storing heeft of defect is naar de website (zie de verpakking van het elektro-afrasteringsapparaat voor meer informatie) voor advies betreffende installatie en onderhoud van een effectief aardingsstelsel.

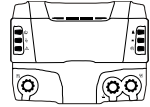
### Is er een storing in het elektro-afrasteringsapparaat?

- 1 Controleer of het elektro-afrasteringsapparaat is ingeschakeld.
- 2 Sluit de afrasteringsdraad af van de afrasteringsaansluiting van het elektro-afrasteringsapparaat.
- 3 Meet de spanning over de aansluitingen van het elektro-afrasteringsapparaat met een fault finder, een digitale voltmeter of een afstandsbedieningsapparaat. Als de spanning lager is dan 6 kV, is er wellicht een servicebeurt nodig.

Afrasteringsvarianten (recentelijk uitgevoerde uitbreidingen van de afrastering, slecht afrasteringsontwerp, bodemcondities)?

Vraag uw dealer om advies als de afrastering, de aarding en het elektro-afrasteringsapparaat allemaal in goede conditie verkeren.

## Problemen met het elektro-afrasteringsapparaat



*Op het elektro-afrasteringsapparaat branden geen lampjes.*



### Voeding of elektro-afrasteringsapparaat defect of in storing?

- 1 Controleer het ledlampje van de voeding. Als het lampje groen brandt, controleer dan of de voeding stevig aan het elektro-afrasteringsapparaat is bevestigd en of de netstroomvoeding is ingeschakeld. Als het lampje rood brandt, is de voeding defect en dient deze te worden geretourneerd.
- 2 Als het elektro-afrasteringsapparaat nog steeds niet werkt, heeft het mogelijkkerwijs een servicebeurt nodig.

*Het signaallampje voor zware last brandt.*



### Ligt er een tak op de afrastering of is er iets anders in verstrikt geraakt?

Koppel het elektro-afrasteringsapparaat los van de netstroomvoeding en controleer daarna de afrastering.

Is er sprake is van kortsluiting in de afrastering of de uitvoerdraad waarmee het elektro-afrasteringsapparaat aan de afrastering is gekoppeld?

Gebruik een fault finder (defectdetector) of een afrasterings-afstandsbediening met fault finder om een eventuele kortsluiting op te sporen. Verhelp storing(en) indien nodig.

Het signaallampje voor lichte last brandt.



Is er gras dat of begroeiing die de afrastering raakt?

Controleer de afrastering en verwijder materiaal dat de afrastering aanraakt.

Het signaallampje voor aardestatus brandt.



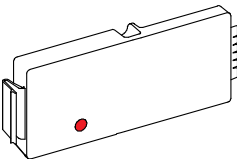
Is er een storing in het aardingssysteem?

Ga naar de website (zie verpakking van het elektro-afrasteringsapparaat voor meer informatie) voor advies betreffende installatie en onderhoud van een effectief aardingssysteem.

Het defectensignaallampje staat aan. Wat betekenen de storingscodes?



Storingscode	Mogelijke oorzaak	Mogelijke oplossing
Defectensignaallampje brandt en op de voeding brandt een rood ledlampje.	Voeding defect.	Nieuwe voeding vereist. Retourneer de voeding aan uw dealer.



Defectensignaallampje brandt en de rode ledlampjes branden. Er kunnen ook andere ledlampjes branden (deze staan ook voor een storingscode).



Storing in het elektro-afrasteringsapparaat. Er is een storing in het elektro-afrasteringsapparaat die van invloed is op de prestaties.

Maak een foto van de storingscode die wordt weergegeven en neem contact op met uw dealer.

Defectensignaallampje brandt en de oranje ledlampjes branden.



Het elektro-afrasteringsapparaat is oververhit.

Controleer of het elektro-afrasteringsapparaat op een koele, goed geventileerde plek staat. Neem als de storing aanhoudt contact op met uw dealer.

*Het alarmlampje knippert en er weerklinkt een alarmzoemer.*



Het elektro-afrasteringsapparaat heeft een plotselinge toename van de belasting op de afrastering geconstateerd.

Dit kan gebeuren:

- als er een automatische zekering sluit, waardoor een zwaar belast gedeelte van de afrastering op het elektro-afrasteringsapparaat wordt aangesloten;
- als er een tak op de afrastering ligt;
- als er bij de afrastering of uitvoerkabel die het elektro-afrasteringsapparaat daarmee verbindt, een plotselinge kortsluiting met de aarde plaatsvindt;
- als er een dier of mens in de afrastering verstrikt raakt.

Schakel het elektro-afrasteringsapparaat uit, spoor de fout op en verhelp deze, waarna u het elektro-afrasteringsapparaat weer inschakelt.

*Het elektro-afrasteringsapparaat schakelt onverwacht over op stand-bymodus.*

**Mogelijk interfereert een afstandsbediening van een nabijgelegen elektro-afrasteringsapparaat met uw elektro-afrasteringsapparaat?**

Wijzig de adresinstelling van uw elektro-afrasteringsapparaat met de afstandsbediening (raadpleeg hiervoor de gebruikershandleiding van de afstandsbediening).

# Functionaliteit in stand houden

Dit elektro-afrosteringsapparaat bevat geen onderdelen die door de klant kunnen worden onderhouden. Voor reparaties moet het aan een door Datamars Limited erkende klantenservice worden geretourneerd. De stroomdraad van de netstroomvoeding kan niet worden vervangen. Als deze is beschadigd, dient de stroomdraad van de netstroomvoeding te worden verwijderd en afgevoerd.

## Garantie

Voor dit product wordt een garantie voor materiaalfouten en kwaliteitsgebreken verleend voor een bepaalde periode vanaf de datum van aankoop. Als er een defect optreedt dat binnen de garantie valt, retourneer dit product dan met het bewijs van aankoop aan de zaak waar u het product hebt gekocht. Meer informatie over garantieperiodes en andere van toepassing zijnde voorwaarden zijn verkrijgbaar bij de zaak waar u het product heeft gekocht of op [www.datamars.com](http://www.datamars.com)

---

### *Opmerking:*

- Er wordt geen aansprakelijkheid aanvaard voor ongevallen of schade die het gevolg zijn van manipulaties aan dan wel verandering of verkeerd gebruik van dit product, inclusief, maar niet beperkt tot, wijzigingen die door anderen dan Datamars of zijn dealers zijn uitgevoerd.
- Voor zover dit wettelijk is toegestaan, is deze garantie exclusief, geldt deze voor persoonlijk en is deze van toepassing in plaats van alle andere garanties, vertegenwoordigingen of voorwaarden met betrekking tot dit product (zij het uitdrukkelijk vermeld of geïmpliceerd en in alle voorkomende gevallen), om het even of deze nu op grond van voorschriften en wetten, handelsverkeer, gewoonte of op andere wijze tot stand gekomen is.
- De productgarantie is alleen geldig in het land waarin het product is aangeschaft. Voor enige claims die in een ander land worden ingediend, kunnen de volledige reparatiekosten bij de eigenaar in rekening worden gebracht.

# Technische gegevens

Voeding Gebruik alleen de 220-240 V-netstroomvoeding

---

Stroomverbruik 25 W

---

Maximum uitgangsspanning 10,3 kV bij 450  $\Omega$

---

Maximale impulsenergie 14,2 J bij 50  $\Omega$

---

Maximum opgeslagen energie 21 J

De waarden zijn typisch en met normale productietoleranties van  $\pm 5\%$  dient rekening te worden gehouden.

[this page is intentionally blank]

# Sikkerhedsinformation

---

*Bemærk:* Dette produkt er udviklet til brug i forbindelse med dyrehegn.

---

## Generelle advarsler

### *ADVARSEL!*

- Denne spændingsgiver er ikke beregnet til brug af personer (herunder børn) med nedsatte fysiske, sensoriske og mentale evner eller manglende erfaring og kendskab, medmindre de har fået vejledning eller instruktion vedrørende brugen af spændingsgiveren af en person, der er ansvarlig for deres sikkerhed.
- Børn bør være under opsyn for at sikre, at de ikke leger med spændingsgiveren. Rengøring og vedligeholdelse bør ikke foretages af børn uden opsyn.
- Afbryd spændingsgiveren inden installation eller arbejde på hegnet.
- Risiko for elektrisk stød! Denne spændingsgiver bør kun åbnes og repareres af kvalificerede personer.

## Advarsler specifikt for denne spændingsgiver

### *ADVARSEL!*

- *Europa* - Når temperaturen er under 5 °C, skal spændingsgiveren være beskyttet, og der må ikke arbejdes med den.
- Forsyningsledningen kan ikke erstattes. Hvis ledningen bliver beskadiget, bør strømforsyningen kasseres.
- Denne spændingsgiver skal opsættes sikkert med fire skruer, der passer til den overflade, den sættes på.

## Forklaring af symboler på spændingsgiveren



Læs hele vejledningen inden brug.



Dette symbol på produktet eller dets emballage betyder, at produktet ikke må bortskaffes som husholdningsaffald. Det er i stedet dit ansvar at bortskaffe

udstyret ved at aflevere det på et registreret indsamlingssted for genvinding af elektrisk og elektronisk udstyr. Når det brugte udstyr sorteres og genanvendes ved bortskaffelse, er det en hjælp til at bevare naturens ressourcer og sikre, at det genanvendes på en måde, som beskytter menneskers helbred og miljøet. Hvis du ønsker yderligere information om, hvor du kan aflevere brugt udstyr til genvinding, kan du kontakte teknisk forvaltning i din kommune eller den forhandler, du købte produktet hos.



Spændingsgiveren har en dobbeltisoleret konstruktion.



Spændingsgivere med dette symbol er spændingsgivere til elhegn med en forsinkelse på 20 sekunder.



Dette aggregat omfatter en jordforbindelse til funktionelle formål.

## Definition af særlige termer

*Spændingsgiver* – Et aggregat, som er beregnet til regelmæssigt at sende spændingsimpulser til et hegn, der er forbundet med det.

*Hegn* – En indhegning til dyr eller til sikkerhedsformål, som består af en eller flere ledere som f.eks. metaltråd, stænger eller skinner.

*Elhegn* – En indhegning, der omfatter en eller flere elektriske ledere, isoleret fra jorden, hvorigennem der sendes strømstød af en spændingsgiver.

*Hegnskredsløb* – Alle strømførende dele eller komponenter på en spændingsgiver, som er forbundet med eller beregnet til at blive forbundet galvanisk med udgangsklemmerne.

*Jordelektrode* – En metalgenstand, der drives ned i jorden i nærheden af en spændingsgiver, og som er forbundet elektrisk med hegnsjordklemmen på spændingsgiveren, og som er uafhængig af andre jordingsindretninger.

*Tilslutningsledning* – En elektrisk ledning til tilslutning af spændingsgiveren til elhegnet eller jordelektroden.

*Elektrisk dyrehegn* – Et elektrisk hegn, hvormed dyr kan indhegnes på et bestemt område eller udelukkes fra et bestemt område.

# Krav til elektriske dyrehegn

I overensstemmelse med Bilag BB, afsnit BB.1, i EN 60335-2-76

Elektriske dyrehegn og det tilhørende udstyr skal installeres, anvendes og vedligeholdes, således at fare for mennesker, dyr og omgivelser minimeres.

Elektriske dyrehegn, som dyr eller mennesker eventuelt kan hænge fast i, bør undgås.

*Installatører/brugere bør bemærke:*

**ADVARSEL!** Undgå kontakt med elhegn, især med hovedet, halsen eller overkroppen. Kravl ikke over, igennem eller under et elhegn med flere tråde. Brug en låge eller en specielt indrettet overgang.

Et elektrisk dyrehegn må ikke tilsluttes to separate spændingsgivere eller uafhængige hegnskredsløb på samme spændingsgiver.

Afstanden mellem trådene på to separate elektriske dyrehegn, som fødes af adskilte spændingsgivere i uafhængig takt, skal være mindst 2,5 m. Hvis dette hul skal lukkes, skal man anvende elektrisk ikke-ledende materiale eller en isoleret metalafspærring.

Pigtråd og natotråd må ikke tilsluttes en spændingsgiver.

Den eller de strømførende tråd(e) i et elektrisk dyrehegn kan suppleres med et ikke-strømførende hegn med pigtråd eller natotråd. De strømførende trådes afstivere skal anbringes, således at der er en minimumsafstand på 150 mm mellem de strømførende tråde og de ikke-strømførende trådes vertikale plan. Pigtråden og natotråden skal jordes med regelmæssige mellemrum.

Følg venligst anvisningerne for jording.

Der skal holdes en minimumsafstand på 10 m mellem spændingsgiverens jordelektrode og andre komponenter, der er tilsluttet et jordingssystem, som f.eks. elnettets beskyttelsesjording eller telekommunikationssystemets jording.

Tilslutningsledninger, som trækkes i bygninger, skal isoleres effektivt fra de jordede bygningselementer. Her kan der benyttes isolerede højspændingskabler.

Tilslutningsledninger under jorden skal trækkes i et isoleringsrør. Alternativt kan der anvendes isolerede højspændingskabler. Tilslutningsledningerne skal beskyttes mod beskadigelse fra dyrehove og hjul på køretøjer, der synker ned i jorden.

Tilslutningsledninger må ikke trækkes i samme rør som elnets-, kommunikations- eller datakabler.

Tilslutningsledninger og tråde til elektrisk dyrehegn må ikke føres over luftledninger eller kommunikationskabler.

Det bør så vidt muligt undgås, at tilslutningsledninger krydser luftledninger. Er dette ikke muligt, skal de føres under elkablerne og i en så ret vinkel som muligt.

Såfremt tilslutningsledninger og tråde til elektriske dyrehegn installeres tæt på en luftledning, må afstanden ikke være mindre end de værdier, der er angivet i nedenstående tabel.

#### *Minimumsafstande mellem strømkabler og elektriske dyrehegn*

<b>Strømkabelspænding</b>	<b>Afstand</b>
≤1000 V	3 m
>1000 V til ≤33.000 V	4 m
>33.000 V	8 m

Såfremt tilslutningsledninger og tråde til elektriske dyrehegn installeres i nærheden af en luftledning, må deres højde over jorden højst være 3 m. Dette gælder for elhegn på begge sider af den retvinklede projektion af de yderste ledninger i strømkablet på jorden i en afstand på op til:

- 2 m ved strømkabler med en nominel spænding under 1000 V.
- 15 m ved strømkabler med en nominel spænding over 1000 V.

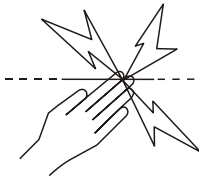
Til elektriske dyrehegn beregnet til afskrækning af fugle, til indhegning af husdyr eller tilvænnning af dyr som f.eks. køer er en spændingsgiver med lav effekt tilstrækkelig til at opnå et tilfredsstillende og sikkert resultat.

Ved elektriske dyrehegn beregnet til at skræmme fugle væk fra bygninger skal der ikke tilsluttes elhegnstråde til spændingsgiverens jordelektrode. Der skal opsættes advarselsskilte alle de steder, hvor personer kan komme i berøring med ledningerne.

Såfremt et elektrisk dyrehegn krydser en offentlig vej, skal der på krydsningsstedet monteres et strømløst led eller en overgang i form af en stente. På alle krydsninger af denne art skal de tilstødende strømførende tråde forsynes med advarselsskilte.

Alle dele af et elektrisk dyrehegn, som løber langs en offentlig vej eller sti, skal med korte mellemrum mærkes med advarselsskilte, som monteres på hegnspælene eller trådene.

- Advarselsskiltet skal være mindst 100x200 mm.
- Baggrundsfarven på begge sider af advarselsskiltet skal være gul. Skriften på skiltet skal være sort og skal enten være:






eller vise "FORSIGTIG: elhegn".

- Skriften må ikke kunne slettes, skal placeres på begge sider af advarselsskiltet og skal være mindst 25 mm højt.

Sørg for, at alt elnetdrevet ekstraudstyr, der er forbundet til det elektriske dyrehegn, yder en isoleringsgrad mellem hegnskredsløbet og elnettet svarende til spændingsgiverens isolering.

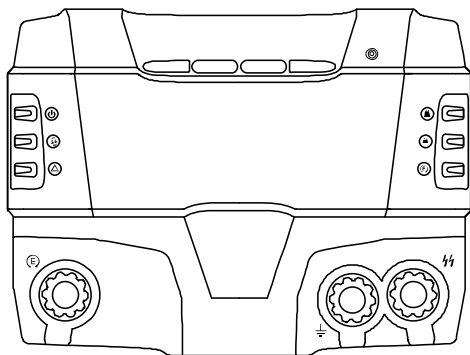
Ekstraudstyr skal beskyttes mod vejret, medmindre producenten angiver, at komponenterne er egnet til udendørs brug og mindst har beskyttelsesklasse IPX4.

# Spørgsmål & svar Indhold

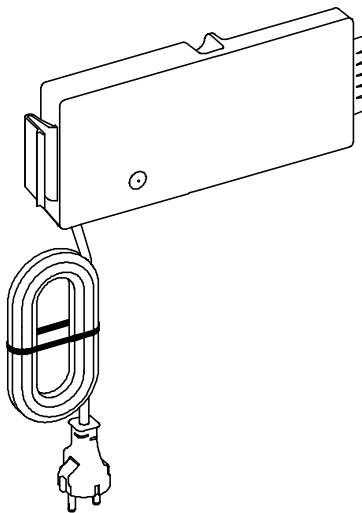
Hvordan slutter jeg spændingsgiveren til hegnet?	Side 121
Hvor kan jeg finde information om at bygge et elhegn?	Side 123
Hvad er magnetnøglen til?	Side 125
Hvordan ved jeg, hvad udgangsspændingen på spændingsgiveren er?	Side 127
Der lyder en alarm på spændingsgiveren - hvad skal jeg gøre?	Side 127
En hegnsindikator  eller  lyser - hvad skal jeg gøre?	Side 128
Hvordan aktiverer jeg jordingskontrollen?	Side 129
Hvordan aktiverer jeg fjernbetjeningen til spændingsgiveren?	Side 130
Der er noget galt med hegnet, spændingsgiveren eller fjernbetjeningen	Side 131
Fejlmeldingslampen  lyser - hvad skal jeg gøre?	Side 132

# 1 Pak kassen ud

Sørg for, at du har alle disse dele. Kontakt din forhandler, hvis der mangler noget.



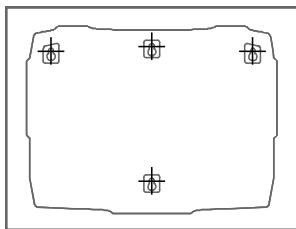
Spændingsgiver



Elnetsledninger



Magnetnøgle

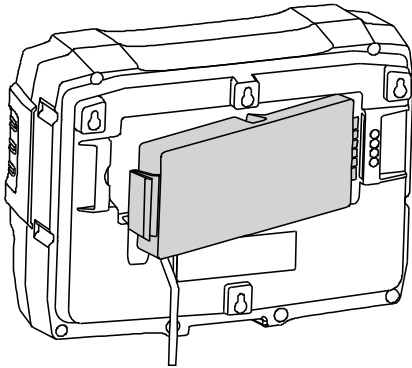


Opsætningsplade

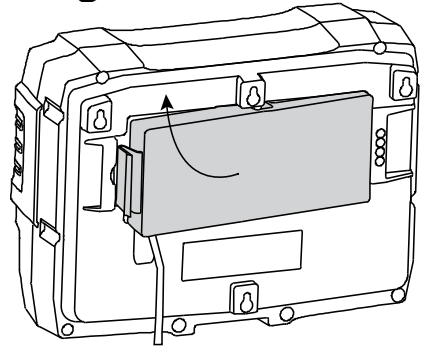
## 2 Sørg for, at strømforsyningen er sat fast

*FORSIGTIG!* Strømforsyningen skal være sat forsvarligt fast til spændingsgiveren, **inden** du tænder for strømmen.

1.



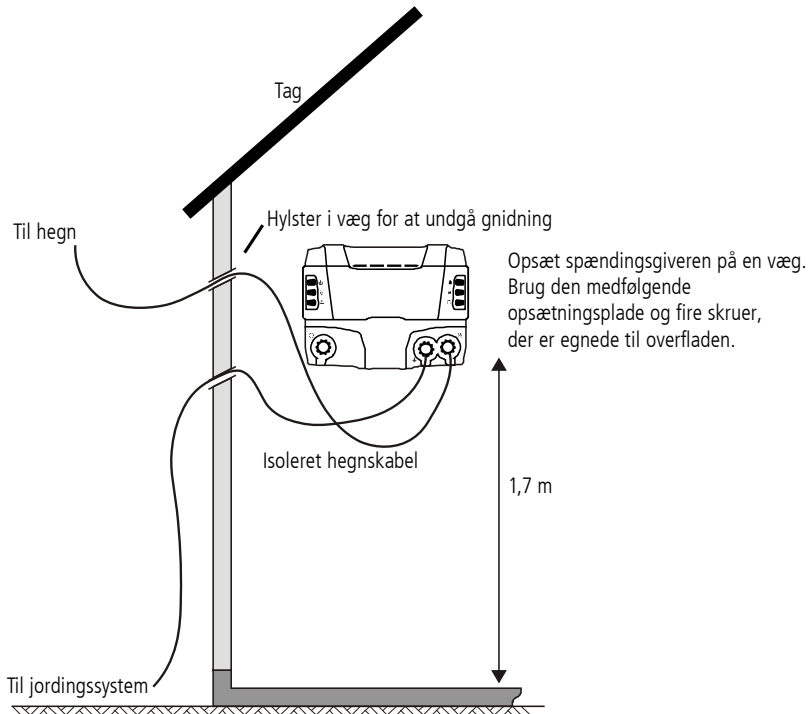
2.  Klik!



*ADVARSEL!* Brug kun den medfølgende strømforsyning eller en original reservedel.

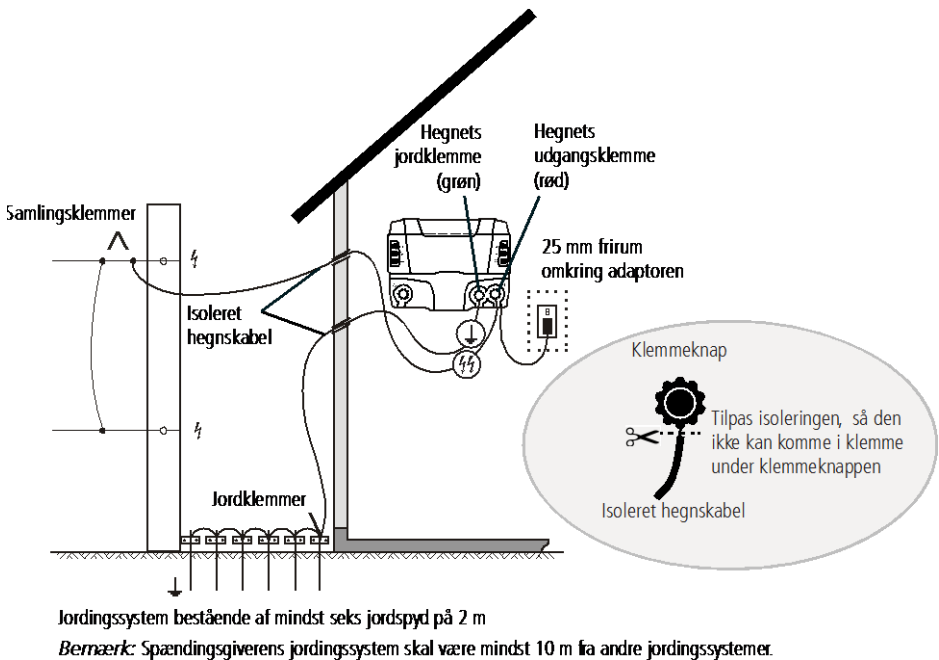
### 3 Vælg et godt sted til installeringen, og opsæt spændingsgiveren

Se side 123 for information om at vælge en egnet placering.



## 4 Slut spændingsgiveren til hegnet, jordingsystemet og elnettet

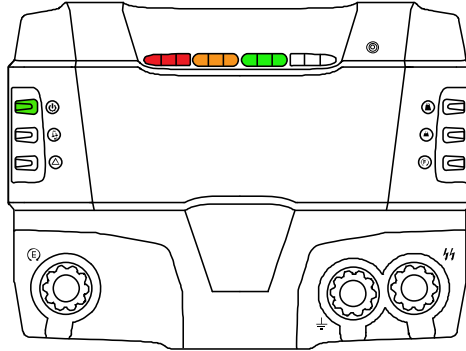
Besøg hjemmesiden (kig på spændingsgiverens emballage for informationer), hvis du vil have yderligere oplysninger om at bygge et elhegn og et jordingsystem.



**ADVARSEL!** Brug ikke en forlængerledning til elnettet.

## 5 Tænd for strømtilførslen, og se udgangsspændingen på udgangsspændingsindikatoren

Se side 127 for yderligere information.



# Mere information om installation

## Vælg en placering til installationen

Læs alle sikkerhedsinformationerne i denne manual samt alle relevante statsligt, regionalt og lokalt bestemte sikkerhedsstandarder, inden spændingsgiveren installeres.

Sørg for, at aggregatet placeres, hvor:

- der kan skabes god jordforbindelse. Se hjemmesiden (kig på emballagen for informationer) for tips om at lave et godt jordingsystem.
- jordingsystemet er mindst 10 m fra andre jordingsystemer (f.eks. telefonnet, elnet eller andre spændingsgiveres jordingsystem).
- børn og dyr ikke kan forstyrre installationen.

Spændingsgiveren bør installeres:

- indendørs eller under overdække.
- stødende op til elhegnet.
- helst midt i elhegnssystemet.
- tæt på et strømudtag.

### *ADVARSEL!*

- Sørg for, at installationen overholder alle lokale sikkerhedsregler.
- *Europa* - Når temperaturen er under 5 °C, skal spændingsgiveren være beskyttet, og der må ikke arbejdes med den.

## Konstruktion af elhegn og jordingsystem

Besøg hjemmesiden (kig på emballagen for informationer) for en fuldstændig manual om at bygge et elhegn og et jordingsystem.

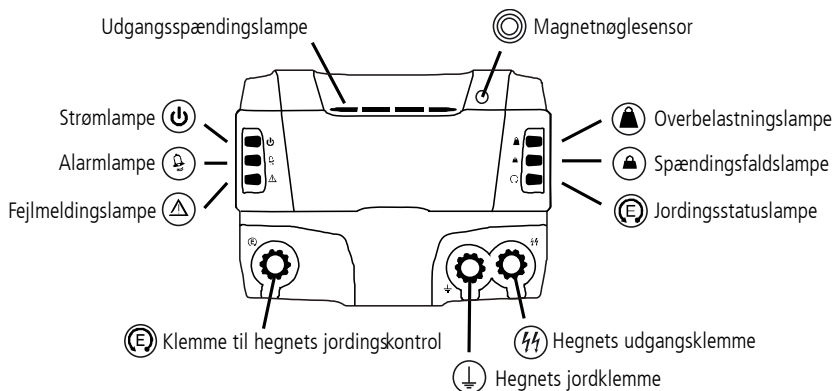
---

*Bemærk:* Til spændingsgiveren anbefaler vi at bruge mindst **seks** 2 m jordspyd i jordingsystemet.

---

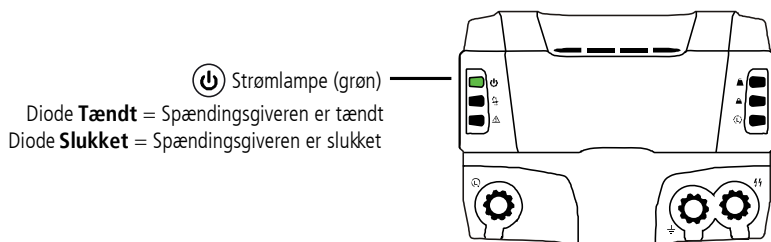
# Brug af spændingsgiveren

## Spændingsgiverens dele



## Sådan tændes spændingsgiveren

Spændingsgiveren er tændt, så snart stikket sættes i strømudtaget, og der tændes på kontakten på væggen.




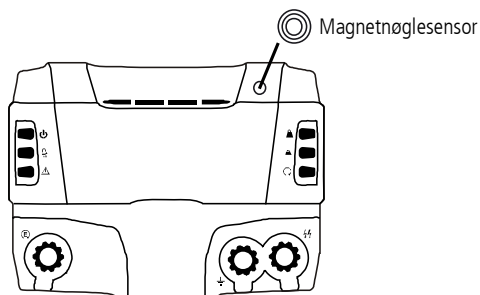
## Sådan slukkes spændingsgiveren

*ADVARSEL!* Spændingsgiveren genaktiveres efter en strømafbrydelse, også selv om den står på standby inden afbrydelsen. Hegnet bør altid betragtes som værende tændt, uanset om spændingsgiveren står på standby eller ej. Hvis du arbejder på et afsnit af hegnet, skal dette afsnit isoleres med en delafbryder. Alternativt skal spændingsgiveren frakobles elnettet.

For at afbryde helt for spændingsgiveren, mens der arbejdes på hegnet: Sluk for spændingsgiveren på væggen, så den afbrydes fra elnettet.

## Brug af magnetnøgle

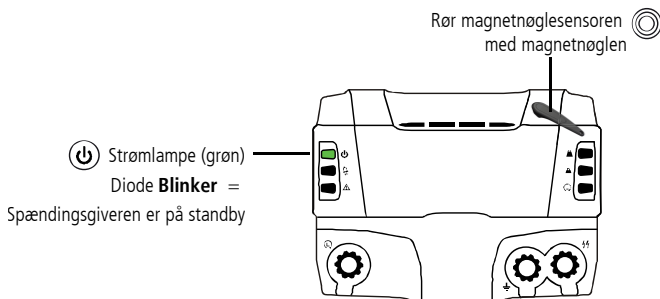
Du kan bruge magnetnøglen til at sætte spændingsgiveren på standby eller til at tænde den igen fra standbyindstillingen. For at bruge magnetnøglen skal den holdes op mod magnetnøglesensoren, som er markeret på spændingsgiverkassen . Magnetnøglesensoren er placeret her:



## Sådan sættes spændingsgiveren på standby

I stedet for at afbryde for spændingsgiveren på væggen anbefaler vi at bruge magnetnøglen til at sætte spændingsgiveren på standby. I standbytilstand er spændingsgiveren tændt, men der er ikke nogen udgangsspænding på hegnets udgangsklemme.

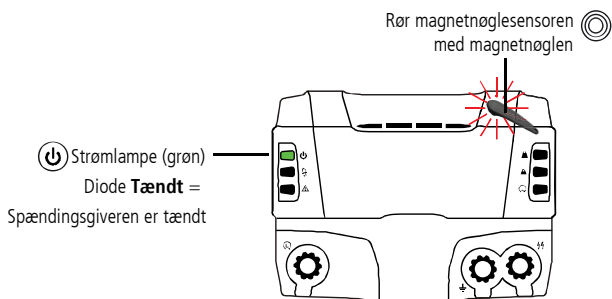
Sådan sættes spændingsgiveren på standby ved hjælp af magnetnøglen:



*Bemærk:* Alternativt kan fjernbetjeningen bruges til at sætte spændingsgiveren på standby. Se brugsanvisningen til fjernbetjeningen. Alle brugsanvisninger kan findes på hjemmesiden (kig på emballagen for informationer).

## Sådan tændes spændingsgiveren fra standbytilstand

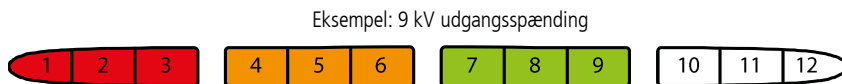
Sådan tændes spændingsgiveren fra standbytilstand ved hjælp af magnetnøglen:



*Bemærk:* Alternativt kan fjernbetjeningen bruges til at tænde spændingsgiveren fra standbytilstand. Se brugsanvisningen til fjernbetjeningen. Alle brugsanvisninger kan findes på hjemmesiden (kig på emballagen for informationer).

## Aflæsning af udgangsspændingen


Udgangsspændingsindikatoren viser udgangsspændingen på spændingsgiveren. Hvert lampe-segment symboliserer 1 kV.



## Kontrol af elhegnets effekt

Følgende funktioner giver dig mulighed for at kontrollere elhegnets effekt.

### Ved alarm

Hvis spændingsgiveren registrerer en pludselig stigning i belastningen på hegnet, begynder alarmlampen  at blinke, impulshastigheden nedsættes til tre sekunder, og alarmen lyder i op til 10 minutter.

Dette kan ske:

- hvis en delafbryder lukkes, så et stærkt belastet afsnit af hegnet bliver tilsluttet spændingsgiveren.
- hvis der falder en gren ned på hegnet.
- hvis hegnet eller kablet, der forbinder det med spændingsgiveren, bliver udsat for en pludselig kortslutning.
- hvis et dyr eller en person bliver viklet ind i hegnet.

20 sekunder efter at hegnet er blevet stærkt belastet, vil spændingsgiveren øge sin udgangseffekt for at strømføde hegnet mere effektivt.

Når der går en alarm, skal spændingsgiveren frakobles elnettet. Lokaliser og afhjælp derefter fejlen, og tænd for spændingsgiveren igen.

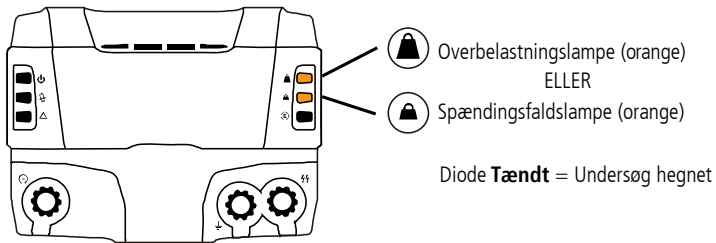
---

*Bemærk:* Hvis en person rører ved elhegnet, er der en tidsforsinkelse på 20 sekunder, inden spændingsgiverens fulde kraft bliver leveret. Det giver personen tid til at bevæge sig væk fra hegnet.

---

# Aflæsning af hegnets indikatorlamper

Hegnets indikatorlamper fortæller, når der er noget galt med hegnet.



Hvis overbelastningslampen lyser, skal spændingsgiveren frakobles elnettet. Kontrollér derefter hegnet for nedfaldne grene og ting, der er blevet viklet ind i det. Undersøg hegnet og kablet, der forbinder spændingsgiveren med hegnet, for kortslutninger. Brug en fejlmelder eller en hegnsfjernbetjening med fejlmelder.

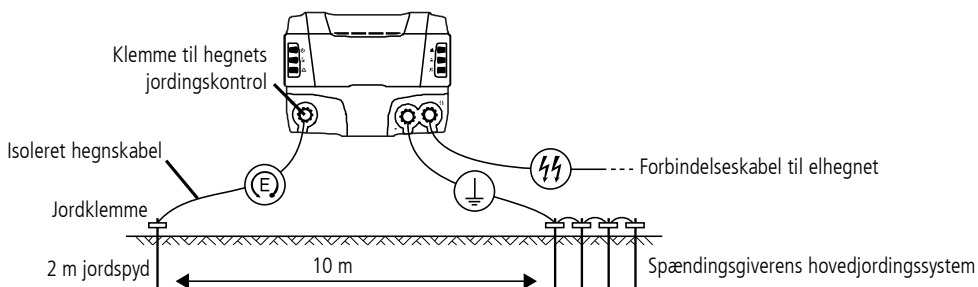
Hvis spændingsfaldslampen lyser, skal hegnet kontrolleres for at sikre, at der ikke er noget græs eller anden vegetation, der rører hegnet.

## Jordingskontrol (valgfri)

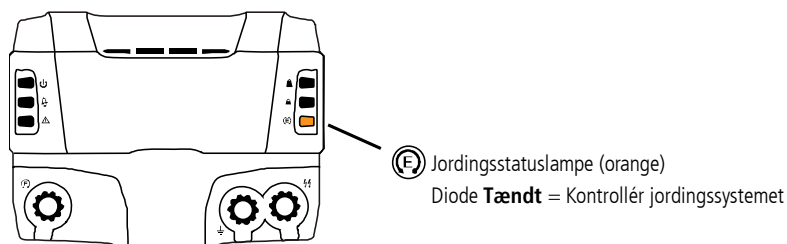
Jordingens kvalitet påvirker hegnets spænding. Jordingskontrollfunktionen giver dig mulighed for hele tiden at se, hvordan jordingssystemet præsterer for at kunne opnå det bedste resultat fra elhegnet.

Jordingskontrollfunktionen fungerer ved at sammenligne spændingen på spændingsgiverens jordingssystem med spændingen på et enkelt jordspyd. Kontrollér, at det enkeltstående jordspyd er mindst 10 m væk fra andre jordingssystemer, herunder spændingsgiverens hovedjordingssystem.

Placer jordspyddet i den modsatte retning af forbindelseskablet. Sæt et jordspyd på 2 m i jorden. Brug et isoleret højspændingskabel og en jordklemme til at forbinde jordspyddet og spændingsgiverens klemme til jordingskontrol.

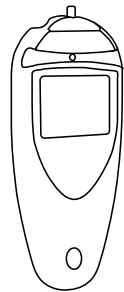


### Aflæsning af jordingsstatuslampen



Hvis jordingsstatuslampen lyser, bør rådene vedrørende installation og vedligeholdelse af et effektivt jordingssystem følges. De findes på hjemmesiden (kig på emballagen for informationer).

# Brug af hegnsbetjeningen med fejlmelder (fjernbetjening)



En hegnsbetjening med fejlmelder (fjernbetjening) kan købes som ekstratilbehør. Den gør det muligt at styre spændingsgiveren på afstand. Spændingsgiveren og fjernbetjeningen skal programmeres, før de kan arbejde sammen.

## Programmering af spændingsgiver og fjernbetjening

Spændingsgiveren og fjernbetjeningen skal indstilles med samme adresseindstilling, før de kan kommunikere med hinanden. Følg følgende trin:

- 1 Afbryd spændingsgiveren fra elnettet, og vent fem minutter, inden der tændes igen, ELLER hold magnetnøglen hen over magnetsensoren i et sekund.
- 2 Gå ind i fjernbetjeningens opsætningsmenu, og vælg en adresseindstilling.
- 3 Overfør adressen til spændingsgiveren.
- 4 Afprøv det for at sikre, at spændingsgiveren adlyder kommandoerne fra fjernbetjeningen.

Der findes en detaljeret vejledning i brugermanualen, som fulgte med fjernbetjeningen.

---

*Bemærk:* Alle brugsanvisninger kan findes på hjemmesiden (kig på emballagen for informationer).

---

## Identificering af spændingsgiverens adresseindstilling

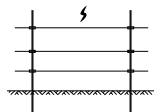
Du skal muligvis identificere spændingsgiverens adresseindstilling under fejlfindingen. For at se spændingsgiverens adresseindstillinger skal spændingsgiveren frakobles elnettet. Vent fem minutter, inden den tilsluttes igen, ELLER **hold** magnetnøglen hen over magnetsensoren i et sekund. Adressen bliver vist i fem sekunder. Bemærk, hvilke dioder der lyser op.

Hvis alle dioder lyser i rækkefølge frem og tilbage, betyder det, at spændingsgiveren er indstillet til adresse nul (0) og ikke er blevet konfigureret til fjernbetjeningen.

Se fjernbetjeningens brugermanual for en komplet liste over tilgængelige adresseindstillinger.

# Fejlfinding

## Problemer med hegnet



*Hegnets spænding er under 4 kV (minimumsspænding til indhegning af dyr).*

### Defekt hegn?

- 1 Undersøg hegnet med en fejlmelder eller en hegnsbetjening med fejlmelder. Disse har en kombineret spændings- og strømmåler, som gør det muligt hurtigt at identificere lækagesteder. Alternativt kan du bruge et digitalt voltmeter.
- 2 Brug delafbrydere til at afbryde for strømmen til hegnets forskellige afsnit. Hvis hegnsspændingen stiger, når en sektion er afbrudt, undersøges denne sektion for mulige mangler.
- 3 Afhjælp fejlen(e) efter behov.

### Defekt jordingsystem?

- 1 Tænd for jordingskontrolfunktionen, og test jordingssystemet (se side 129).
- 2 Hvis jordingsystemet er defekt, søges råd om installation og vedligeholdelse af et effektivt jordingsystem på hjemmesiden (kig på emballagen for informationer).

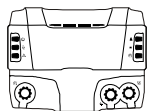
### Defekt spændingsgiver?

- 1 Kontrollér, at der er tændt for spændingsgiveren.
- 2 Afbryd hegnstrådene fra spændingsgiverens udgangsklemme.
- 3 Mål spændingen på spændingsgiverens klemmer med en fejlmelder, et digitalt voltmeter eller et fjernbetjeningshåndsæt.  
Hvis spændingsgiverens spænding er lavere end 6 kV, skal der muligvis udføres service på den.

### Hegnets konstruktion (nyere udvidelser til hegnet, dårlig hegnopsætning, jordforhold)?

Hvis både hegn, jordingsystem og spændingsgiver er i orden, må du spørge forhandleren til råds.

# Problemer med spændingsgiveren



*Der er ingen lamper, der lyser på spændingsgiveren.*



## Defekt strømforsyning eller spændingsgiver?

- 1 Kontrollér strømforsyningsdioden. Hvis den er grøn, så kontrollér, at strømforsyningen sidder godt fast på spændingsgiveren, og at der er tændt for strømmen. Hvis den er rød, er strømforsyningen defekt, og den skal returneres.
- 2 Hvis spændingsgiveren stadig ikke virker, skal der muligvis udføres service på den.

*Overbelastningslampen lyser.*



Er der faldet en gren ned på hegnet, eller er der viklet noget andet ind i det?

Afbryd spændingsgiveren fra elnettet, og undersøg hegnet.

Er der en kortslutning på hegnet eller på kablet, der forbinder spændingsgiveren og hegnet?

Undersøg, om der er kortslutninger ved hjælp af en fejlmelder eller hegnsbetjening med fejlmelder. Afhjælp fejlen(e) efter behov.

*Spændingsfaldslampen lyser.*



Er der græs eller anden vegetation, der rører ved hegnet?

Undersøg hegnet, og fjern alt materiale, der rører ved hegnet.

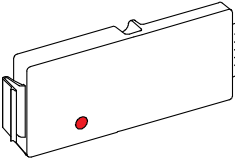


*Jordingsstatuslampen lyser.*



## Defekt jordingsystem?

Besøg hjemmesiden (kig på emballagen for informationer) for råd om installation og vedligeholdelse af et effektivt jordingsystem.



Fejlkode	Mulig årsag	Mulig løsning
<p>Fejlmeldingslampen lyser, og en rød diode lyser på strømforsyningen.</p> 	<p>Defekt strømforsyning.</p>	<p>Strømforsyningen skal udskiftes med en ny. Returner strømforsyningen til din forhandler.</p>
<p>Fejlmeldingslampen lyser, og de røde dioder lyser. Andre dioder vil også lyse (repræsenterer en fejlkode).</p> 	<p>Funktionsfejl på spændingsgiveren. Der er en fejl på spændingsgiveren, som kan påvirke dens ydeevne.</p>	<p>Tag et billede af fejlkoden på displayet, og kontakt din forhandler.</p>
<p>Fejlmeldingslampen lyser, og de orange dioder lyser.</p> 	<p>Spændingsgiveren er overophedet.</p>	<p>Kontrollér, at spændingsgiveren er opsat i et køligt og godt ventileret område. Kontakt forhandleren, hvis fejlkoden fortsætter.</p>

*Alarmlampen blinker, og alarmen lyder.*



Spændingsgiveren har registreret en pludselig stigning i belastningen på hegnet.

Dette kan ske:

- hvis en delafbryder lukkes, så et stærkt belastet afsnit af hegnet bliver tilsluttet spændingsgiveren.
- hvis der falder en gren ned på hegnet.
- hvis hegnet eller kablet, der forbinder spændingsgiveren med hegnet, er udsat for en pludselig kortslutning.
- hvis et dyr eller en person bliver viklet ind i hegnet.

Sluk for spændingsgiveren, lokaliser og afhjælp fejlen, og tænd for spændingsgiveren igen.

*Spændingsgiveren skifter uventet over på standbyindstilling.*

**Måske påvirker en nabos fjernbetjening din spændingsgiver?**

Ændr din spændingsgivers adresseindstilling ved hjælp af fjernbetjeningen (se nærmere i brugermanualen til fjernbetjeningen).

# Vedligeholdelse

Denne spændingsgiver indeholder ingen dele, som kan vedligeholdes af kunden. Den skal indleveres til reparation på et autoriseret Datamars Limited-servicecenter. Strømforsyningsledningen til elnettet kan ikke erstattes. Hvis ledningen bliver beskadiget, bør hele strømforsyningen kasseres.

## Garanti

For dette produkt ydes der garanti for fejlfrit materiale og korrekt udført forarbejdning i en periode fra købsdatoen. Hvis der opstår en defekt, som garantien dækker, skal produktet og kvitteringen indleveres ved forhandleren. Detaljer vedrørende garantiperioden og andre betingelser kan fås ved forhandleren eller på [www.datamars.com](http://www.datamars.com)

---

### *Bemærk:*

- Der tages ikke ansvar for ulykker og skader, der er opstået som følge af manipulation af eller tilpasning eller forkert brug af dette produkt, herunder (men ikke begrænset til) ændringer lavet af andre end Datamars eller dennes repræsentanter.
  - I det omfang loven tillader det, er nærværende garanti eksklusiv, personlig for køber og afløser alle andre garantier, tilsikringer eller betingelser med relation til nærværende produkt (uanset om udtrykkeligt eller implicit og uanset, hvor de måtte opstå), uanset om de hidrører fra lovbestemmelser, handelsbestemmelser, kutyme eller lignende.
  - Produktgarantien er kun gyldig i det oprindelige købsland. Krav, der gøres gældende i et andet land, kan medføre betaling af reparationsudgifter for ejers regning.
-

# Produktspecifikationer

Strømforsyning	Brug kun en strømforsyning på 220-240 V
Strømforbrug	25 W
Maksimal udgangsspænding	10,3 kV @ 450 $\Omega$
Maksimal udgangsenergi	14,2 J ved 50 $\Omega$
Maksimal lagret energi	21 J

Værdierne er gennemsnitlige, og normale produktionstolerancer på  $\pm 5$  % bør accepteres.