



Scratch Brush

User's Guide

Please read this document before using the scratch brush.

Please read this document before you start!

Dear customer,
We wish the machine which is made by qualified equipment give the best result for your farm.

Please be sure that you read this document completely and carefully before you start and keep this document as a source.

Please;

Take into consideration the security warnings.
Read other documentation that came with your product.

Symbols & Explanations



Warning! : Material-specific information to avoid damage



Danger : Specific information to prevent damage to people and animals



Note : Information necessary for economic and easy to use.

This product is produced in an environmentally friendly way with no harm to nature.

Contents

1 General Information	4
2 Kurtsan Scratch Brushes	4
Benefits of Kurtsan Scratch Brushes	
Specifications of Scratch Brushes	
Spare Parts of Scratch Brushes	
3 Getting To Know The Scratch Brush	5
Elektrical Engine	
Reducer	
Brush	
Chassis	
Technical Information	
4 How To Mount The Scratch Brush	7
5 Instructions For Best Use	7
6 Periodic Maintenance	8
7 Safety First	8
9 Transportation and Shipping	9
9 Problem solving	9
10 Warranty Conditions	10
11 Costumer Service	10

Copyright © Kurtsan 2012 All rights are reserved.

1 General Information

This milking parlour is made by Kurtsan in Turkey.

The Scratch Brush is made for increasing the health and the proportion of the milk yield significantly. Cows are able to give more milk in distressful areas.

According to Turkish Laws, after sale services of industrial products should be equal to product life which is announced as 10 (ten) years by the Ministry of Law No. 4077 .

2 Kurtsan Scratch Brush

Benefits of Kurtsan Scratch Brush

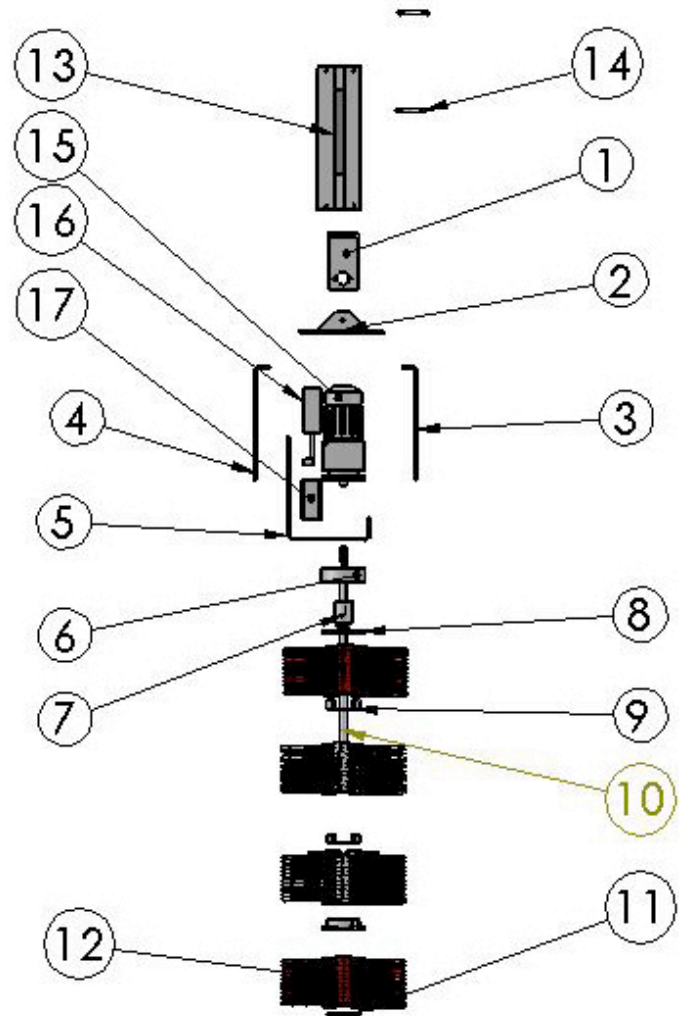
- Protect the health of cows.
- Increase the comfort at the farm.
- The massage increases blood circulation.
- Increase the herd performance.
- Make the cows calm and clean.
- Make the skin of cow to breathe.
- Increases the rate of utilization of feed.
- Increases the quality of leather of cows.
- Increases the meat and milk production by ~10%.

Specifications of The Scratch Brush

- ✓Automated on/off feature.
- ✓Easy and quick installation.
- ✓Low energy consumption.
- ✓Easy to clean.
- ✓Suitable for 40-50 animals.
- ✓The ability to act 360° .
- ✓In case of jamming of the tail, engine stops and acts in the opposite direction.

Spare Parts of Scratch Brush

#	Name of the part	#
1	Flange hanger	1
2	Flange Swing	1
3	Lama Swing Right	1
4	Lama Swing Left	1
5	Engine Flange	1
6	Plate Storage	1
7	Spindle and Engine Holder	1
8	Centering Flange	3
9	Print Flange	1
10	Bruch Shaft	1
11	Lower Thrust Flange	1
12	Brush	2
13	Scratching Machine Strap	1
14	M10 U Bolt	4
15	Engine	1
16	Electronics & Censors	1
17	Cable Protector	1



3 Getting to know the scratch brush

Electrical Engine

Power	0,18
Current (A)	11
Cos Ø	0,69
Frequency (Hz)	50
Operating Voltage (V)	220
Speed (rev/min)	1340

Reducer

This is a tool which reduces the high rate of rotation of electric motors until the required rates of return. (The required speed: 31 Rev / Min)

Brush

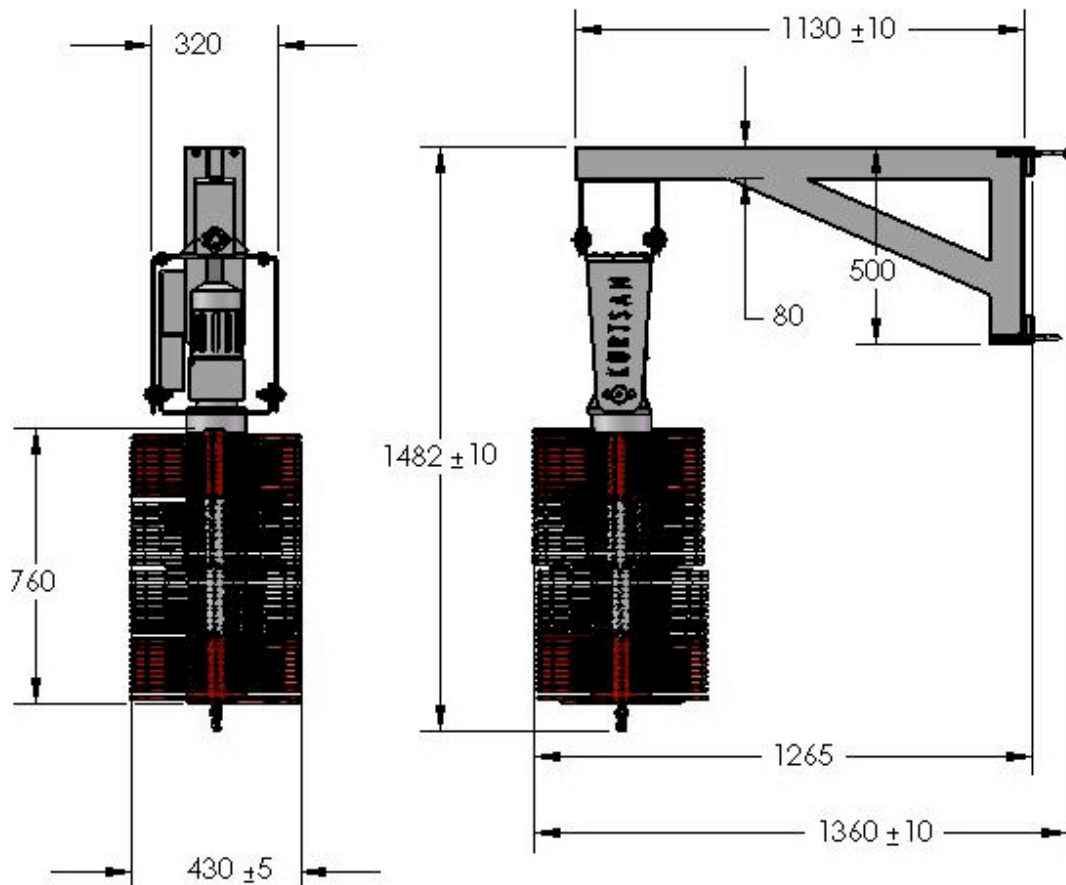
Thanks to its robust construction, it is easy to clean with pressure washers.

Brushes are 440 mm in diameter and 730 mm in height. The bristles are made by Polypropylene-Nylon which are 150 mm long and 0,270 mm in diameter.

Chassis

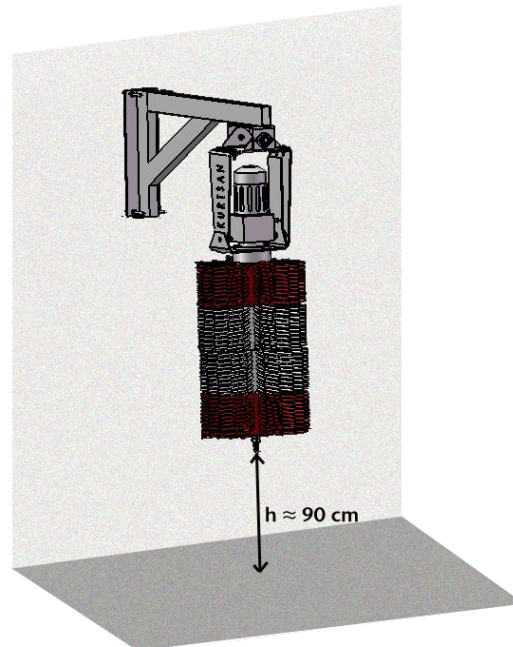
40 x 80 x 3 profile is used and which is hot-dip galvanized.

Technical Information



4 How to mount the scratch brush

User can mount the brush to the wall or pole. This brush is ready for the final user, however we recommend that you should hire a licensed electrician to mount. Brush can be located in inside of the farm or outside of the farm.



Brush must not contact with water or rain !

- 220 V power line must be drawn.
- The distance of brush to the floor should be 90 cm. Height of the link/connection arm should be 220 cm for the best user experience.
- Licensed electricians should mount the brushes.
- 4 Amp fuse must be used.
- All cables must be grounded.
- Keep the connection cables dry.



5 Instructions for best use

Attention!

Engine should not contact with water and rain.

Be sure that you are done with the periodic maintenances.

Mechanical Cleaning

To get best result, user should clean the brush regularly.

Keep away the dust, dirt, oil, etc. from the brush and maximize the life of the brush.

6 Periodic Maintenance

	Maintenance	Periods
Electric Engine	Cleaning with air	Every month
Reducer	Renewing the oil	Every six month
Brush	Changing the brush	Every two years
Brush	Cleaning with water	Every day
Chassis	Cleaning	Every month

7 Safety First

Please review the information below. Failure to observe these information into consideration and the risk of personal injury or property damage may occur. Failure to comply with these requirements, and reliability commitment will become void any warranty.



Apply a full day Daily Procedure. Make sure that all the guidelines related to the product dominated.

- ✓ Do not put oil on your machine and the electric motor.
- ✓ Do not water the machine and the electric motor.
- ✓ Qualified electrician must mount the brush.

Kurtsan uses a power cables and plugs which are suitable for the brushes. If a failure occurs, please do not hesitate to contact with us.



Brush should rotate in the direction indicated by the arrow. If it is rotating in the opposite direction all the times, turn off the brush and contact with Kurtsan or qualified electricians.

- ✓ Do not contact with the electricity directly.
- ✓ Outlets must be grounded.
- ✓ Do not water into engine or electrical equipments.
- ✓ In case of any malfunction, user must contact with qualified electricians.
- ✓ If you observe thermal radiation events, user must stop the brush and contact with us.

8 Transportation & Shipping



- ✓ The machine must be protected against shocks during transportation and shipping.
- ✓ In order to protect against shocks, user should use stretch bands, cage materials and packaging materials etc.

9 Problem solving

Problem	Reason	Solution
Brush does not rotate.	Electricity man not be recieved.	A power control should be done by qualified electrician.
	The sensor is defective or damaged.	Contact with retailer.
	Insurance may be taken on the electronic board.	Insurance should be changed.
Electrical crashing	Not grounded	Grounding must be made.

10 Warranty Conditions

Kurtsan Milking Parlours is not a composition of ordinary and simple parts. In order to guarantee your safety, reliability and hygiene, please be sure that you are using the Kurtsan equipments which is homogenous and consistent with each other a whole consisting of parts. All parts is perfectly designed by Kurtsan.

The perfect harmony of spare parts is the result of the brand awareness. Therefore, Kurtsan only gives guarantee the parlours which are used with Kurtsan Original Spare Parts. Kurtsan Warranty Terms are as follows:

1. The warranty period starts from the date of delivery for 1 (one) year.
2. Kurtsan brand equipments are protected by warranty against defects in material and workmanship.
3. Acting against to user's manual makes your machine out of warranty.
4. If there is a event of disagreement with the competent service, the system owner should notify the company in writing or via e-mail.
5. If you do not use **Original Kurtsan Spare Parts**, your machine will be out of warranty.
6. If you do not keep your invoice or warranty card, your machine will be out of warranty.

11 Customer Service

Dear Valued Customer,
Kurtsan Call Center is available on weekdays from 08:30 to 18:00 (GMT +2) at phone number +90.212.605.09.09.

Apply directly to us by turning this number and you can request the desired service.

You reach Call Center also via e-mail or fax (+90.212.605.03.33).

Written applications addressed to:

Kurtsan Tarım End. Mak. San. ve Tic. Ltd. Şti.
Ornek Mah. 1596 sok. No. 26
Esenyurt / İstanbul / Turkey

Kurtsan Call Center

+90.212.605.09.09

live from 8:30 to 18:00 (GMT +2)

Manufacturer Firm

KURTSAN TARIM

Address:

Kurtsan Tarım End. Mak. San. Tic. Ltd. Şti.

Örnek Mah. 1596 sok. No:26

Esenyurt / İstanbul / Turkey

T 0212 605 09 09

F 0212 605 03 33

kurstantarim@kurstantarim.com